

DL405

Installation and I/O Manual

Manual Number D4-INST-M



WARNING

Thank you for purchasing automation equipment from Automationdirect.com. We want your new **DirectLOGIC™** automation equipment to operate safely. Anyone who installs or uses this equipment should read this publication (and any other relevant publications) before installing or operating the equipment.

To minimize the risk of potential safety problems, you should follow all applicable local and national codes that regulate the installation and operation of your equipment. These codes vary from area to area and usually change with time. It is your responsibility to determine which codes should be followed, and to verify that the equipment, installation, and operation is in compliance with the latest revision of these codes.

At a minimum, you should follow all applicable sections of the National Fire Code, National Electrical Code, and the codes of the National Electrical Manufacturer's Association (NEMA). There may be local regulatory or government offices that can also help determine which codes and standards are necessary for safe installation and operation.

Equipment damage or serious injury to personnel can result from the failure to follow all applicable codes and standards. We do not guarantee the products described in this publication are suitable for your particular application, nor do we assume any responsibility for your product design, installation, or operation.

If you have any questions concerning the installation or operation of this equipment, or if you need additional information, please call us at 1-770-844-4200.

This publication is based on information that was available at the time it was printed. At Automationdirect.com, we constantly strive to improve our products and services, so we reserve the right to make changes to the products and/or publications at any time without notice and without any obligation. This publication may also discuss features that may not be available in certain revisions of the product.



Trademarks

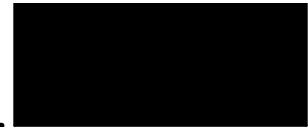
This publication may contain references to products produced and/or offered by other companies. The product and company names may be trademarked and are the sole property of their respective owners. Automationdirect.com disclaims any proprietary interest in the marks and names of others.

Stage is a trademark of Koyo Electronics Industries Co., LTD. Think & Do Software is a trademark of Think & Do Software, Inc. Texas Instruments is a registered trademark of Texas Instruments, Inc. TI, TIWAY, Series 305, Series 405, TI305, and TI405 are trademarks of Texas Instruments, Inc. Siemens and SIMATIC are registered trademarks of Siemens, AG. GE is a registered trademark of General Electric Corporation. Series One is a registered trademark of GE Fanuc Automation North America, Inc. MODBUS is a registered trademark of Gould, Inc. IBM is a registered trademark of International Business Machines. MS-DOS and Microsoft are registered trademarks of Microsoft Corporation. Windows and Windows NT are trademarks of Microsoft Corporation. OPTOMUX and PAMUX are trademarks of OPTO 22.

**Copyright 1999, Automationdirect.com Incorporated
All Rights Reserved**

No part of this manual shall be copied, reproduced, or transmitted in any way without the prior, written consent of Automationdirect.com Incorporated. Automationdirect.com retains the exclusive rights to all information included in this document.

Manual Revisions



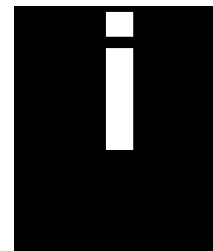
If you contact us in reference to this manual, be sure and include the revision number.

Title: DL405 Installation and I/O Manual

Manual Number: D4-INST-M

Issue	Date	Effective Pages	Description of Changes
Original	12/99	Cover/Copyright Contents 1-1 - 1-4 2-1 - 2-9 3-1 - 3-64	Original Issue

Table of Contents



Getting Started

About This Manual	1-2
The Purpose of this Manual	1-2
Supplemental Manuals	1-2
Technical Support	1-2
Key Topics for Each Chapter	1-3
Chapters	1-3
Conventions Used	1-3
DL405 System Components	1-4
Bases	1-4
I/O Configuration	1-4
I/O Modules	1-4

Installation

Safety Guidelines	2-2
Plan for Safety	2-2
Safety Techniques	2-2
Orderly System Shutdown	2-3
System Power Disconnect	2-3
Mounting Guidelines	2-4
Base Dimensions	2-4
Panel Layout & Clearances	2-5
Enclosures	2-6
Agency Approvals	2-6
Environmental Specifications	2-7
Power	2-7
Installing DL405 Bases	2-8
Three Sizes of Bases	2-8
Mounting the Base	2-8
Installing Components in the Base	2-9
Base Wiring	2-9

I/O Wiring and Specifications

I/O Wiring Strategies	3-2
DL405 System Isolation Boundaries	3-2
Powering I/O Circuits Using Separate Supplies	3-3
Sinking / Sourcing Concepts	3-4
I/O "Common" Terminal Concepts	3-5
Connecting DC I/O to "Solid State" Field Devices	3-6
Solid State Input Sensors	3-6
Solid State Output Loads	3-6
Relay Output Guidelines	3-8
Prolonging Relay Contact Life	3-8



I/O Module Wiring and Specifications	3-10
Module Placement	3-10
I/O Module Status Indicators	3-10
Color Coding of I/O Modules	3-10
Wiring a Module with a Terminal Block	3-11
Wiring a Module using a Ribbon Cable/Solder Type Connector	3-12
Part Numbers for Module Connectors	3-13
Vendors For the Parts Used in the Terminal Block Configuration	3-13
Ribbon Cable	3-14
Ribbon Cable Connectors	3-14
Interface Terminal Block	3-14
I/O Wiring Checklist	3-15
DL405 Discrete Input Module Chart	3-16
DL405 Discrete Output Module Chart	3-16
Special Input Module Chart	3-17
Analog Input Module Chart	3-17
Analog Output Module Chart	3-18
Glossary of Specification Terms	3-19
D4-08ND3S DC Input	3-20
D4-16ND2 DC Input	3-20
D4-16ND2F DC Input	3-21
D4-16SIM Input Simulator	3-21
D4-32ND3-1, 24VDC Input	3-22
D4-32ND3-2 5-12VDC Input	3-22
D4-64ND2, 24 VDC Input Module	3-23
D4-08NA 110-220VAC Input	3-24
D4-16NA 110VAC Input	3-24
D4-16NA-1 220VAC Input	3-24
D4-16NE3 12-24VAC/DC Input	3-25
F4-08NE3S 90-150VAC/DC Input	3-25
D4-08TD1 12-24 VDC Output	3-26
F4-08TD1S 24-150 VDC Isolated Output	3-26
D4-16TD1 5-24 VDC Output	3-27
D4-16TD2, 12-24 VDC Output	3-27
D4-32TD1, 5-24VDC Output	3-28
D4-32TD1-1, 5-15VDC Output	3-28
D4-32TD2, 12-24 VDC Output Module	3-29
D4-64TD1, TTL/CMOS/5-24 VDC Output Module	3-30
D4-08TA, 18-220VAC Output	3-31
D4-16TA, 18-220VAC Output	3-31
D4-08TR, Relay Output	3-32
F4-08TRS-1, Relay Output	3-32
F4-08TRS-2, Relay Output	3-33
D4-16TR, Relay Output	3-33
F4-04AD 4-Channel Analog Input Specifications	3-34
F4-04AD 4-Channel Analog Input Module	3-35
F4-04ADS 4-Channel Isolated Analog Input Specifications	3-36
F4-04ADS 4-Channel Isolated Analog Input Module	3-37



F4-08AD 8-Channel Analog Input Specifications	3-38
F4-08AD 8-Channel Analog Input Module	3-39
D4-02DA 2-Channel Analog Output Specifications	3-40
D4-02DA 2-Channel Analog Output Module	3-41
F4-04DA 4-Channel Analog Output Specifications	3-42
F4-04DA 4-Channel Analog Output Module	3-43
F4-04DA-1 4-Channel Analog Current Output Specifications	3-44
F4-04DA-1 4-Channel Analog Current Output Module	3-45
F4-04DA-2 4-Channel Analog Voltage Output Specifications	3-46
F4-04DA-2 4-Channel Analog Voltage Output Module	3-47
F4-04DAS-1 4-Channel 4-20mA Isolated Analog Output Specifications	3-48
F4-04DAS-1 4-Channel 4-20mA Isolated Analog Output Module	3-49
F4-08DA-1 8-Channel Analog Current Output Specifications	3-50
F4-08DA-1 8-Channel Analog Current Output Module	3-51
F4-08DA-2 8-Channel Analog Current Output Specifications	3-52
F4-08DA-2 8-Channel Analog Current Output Module	3-53
F4-16DA-1 16-Channel Analog Current Output Specifications	3-54
F4-16DA-1 16-Channel Analog Current Output Module	3-55
F4-16DA-2 16-Channel Analog Current Output Specifications	3-56
F4-16DA-2 16-Channel Analog Current Output Module	3-57
F4-08THM 8-Channel Thermocouple Input Specifications	3-58
F4-08THM 8-Channel Thermocouple Input Module	3-59
F4-08THM-n 8-Channel Thermocouple Input Specifications	3-60
F4-08THM-n 8-Channel Thermocouple Input Module	3-61
F4-08RTD 8-Channel RTD Input Specifications	3-62
F4-08RTD 8-Channel RTD Input Module	3-63

Getting Started

1

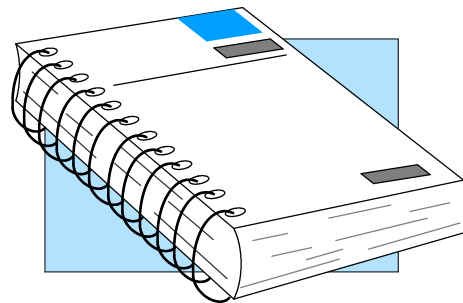
In This Chapter. . . .

- About This Manual
- Conventions Used
- DL405 System Components

About This Manual

The Purpose of this Manual

This manual is written for the user of non-traditional CPU-slot controllers or I/O controllers who are also using our DL405 I/O products. This manual shows you how to install and wire the equipment. It provides specifications for input and output modules. It also helps you understand how to interface these products to other devices in a control system.



Supplemental Manuals

In addition to this manual, you will want to have the appropriate manual for your CPU-slot controller and for the PC-based control software you will be using.

Technical Support

We strive to make our manuals the best in the industry. We rely on your feedback to let us know if we are reaching our goal. If you cannot find the solution to your particular application, or, if for any reason you need additional technical assistance, please call us at

770-844-4200.

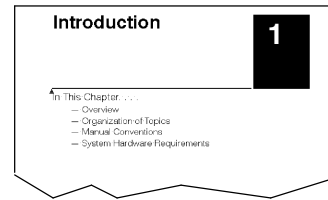
The technical support group is glad to work with you in answering your questions. They are available **weekdays from 9:00 a.m. to 6:00 p.m. Eastern Time**. Please visit our site on the worldwide web where you can find technical and nontechnical information about our products and our company.

<http://www.automationdirect.com>.

If you have a comment or question about any of our products, services, or manuals, please fill out and return the 'Suggestions' card that was shipped with this manual.

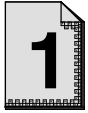
Key Topics for Each Chapter

The beginning of each chapter will list the key topics that can be found in that chapter.



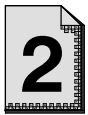
Chapters

The main contents of this manual are organized into the following three chapters:



Getting Started

introduces the various components of a DL405 system. Also includes tips on getting started and how to design a successful system.



Installation and Wiring

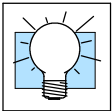
shows how to prepare for system installation, and gives safety guidelines to help protect your personnel and machinery



I/O Wiring and Specifications

Includes system and I/O wiring diagrams, and discrete I/O module specifications.

Conventions Used



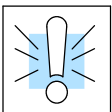
When you see the “light bulb” icon in the left-hand margin, the paragraph to its immediate right will give you a **special tip**.

The word **TIP:** in boldface will mark the beginning of the text.



When you see the “notepad” icon in the left-hand margin, the paragraph to its immediate right will be a **special note**.

The word **NOTE:** in boldface will mark the beginning of the text.



When you see the “exclamation mark” icon in the left-hand margin, the paragraph to its immediate right will be a **warning**. This information could prevent injury, loss of property, or even death (in extreme cases).

The word **WARNING:** in boldface will mark the beginning of the text.

DL405 System Components

Bases

Three base sizes are available in the system: 4 slot, 6 slot and 8 slot.

I/O Configuration

The CPU slot controllers can support up to 512 I/O points in an eight slot base with up to three expansion bases.

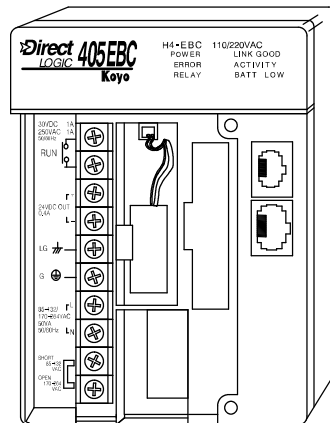
I/O Modules

The DL405 family provides some of the most powerful modules in the industry. There is a complete range of discrete modules which support 24 VDC, 125 VDC, 110/220 VAC and up to 10A relay outputs. Analog modules provide 12 and 16 -bit resolution and several selections of input and output signal ranges (including bipolar).

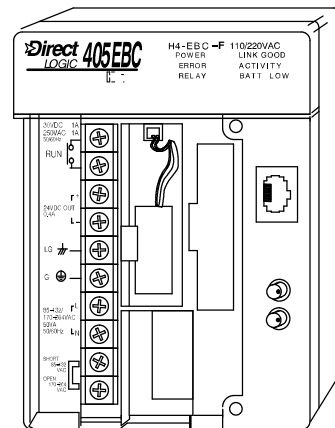
At this time, only the D4-HSC High Speed Counter Specialty Module is supported; no other intelligent modules are supported.

The controllers available at the time this manual was printed are:

- Ethernet Base Controller
 - H4-EBC
 - H2-EBC-F



H4-EBC



H4-EBC-F

Installation

In This Chapter. . . .

- Safety Guidelines
- Mounting Guidelines
- Installing DL405 Bases

Safety Guidelines

WARNING: Providing a safe operating environment for personnel and equipment is your responsibility and should be a primary goal during system planning and installation. Automation systems can fail and may result in situations that can cause serious injury to personnel or damage to equipment. Do not rely on the automation system alone to provide a safe operating environment. Use external electromechanical devices, such as relays or limit switches, that are independent of the DL405 system to provide protection for any part of the system that may cause personal injury or damage.

Every automation application is different, therefore, there may be special requirements for your particular application. Be sure to follow all National, State, and local government requirements for the proper installation and use of your equipment.

Plan for Safety

The best way to provide a safe operating environment is to make personnel and equipment safety part of the planning process. Examine *every* aspect of the system to determine which areas are critical to operator or machine safety.

If you are not familiar with system installation practices, or your company does not have established installation guidelines, you should obtain additional information from the following sources.

- NEMA — The National Electrical Manufacturers Association, located in Washington, D.C., publishes many different documents that discuss standards for industrial control systems. You can order these publications directly from NEMA. Some of these include:
ICS 1, General Standards for Industrial Control and Systems
ICS 3, Industrial Systems
ICS 6, Enclosures for Industrial Control Systems
- NEC — The National Electrical Code provides regulations concerning the installation and use of various types of electrical equipment. Copies of the NEC Handbook can often be obtained from your local electrical equipment distributor or your local library.
- Local and State Agencies — many local governments and state governments have additional requirements above and beyond those described in the NEC Handbook. Check with your local Electrical Inspector or Fire Marshall office for information.

Safety Techniques

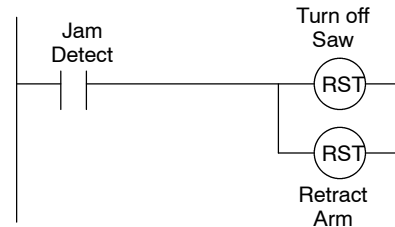
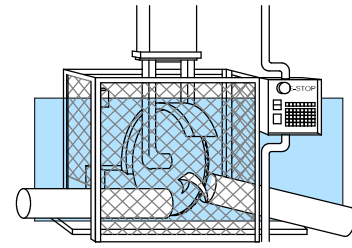
The publications mentioned provide many ideas and requirements for system safety. It is recommended to follow these regulations as a minimum. Using the techniques listed below will further help reduce the risk of safety problems.

- Orderly system shutdown sequence in the control program.
- System power disconnects (guard limits, emergency stop switches, etc.)

Orderly System Shutdown

The control program can provide the first level of protection when used to identify machine problems. After analyzing your application, identify any shutdown sequences that must be performed. Typical problems include part jams, empty bins, etc. that do not pose a risk of personal injury or equipment damage.

WARNING: The control program *must not* be the only form of protection for any problems that may result in a risk of personal injury or equipment damage.

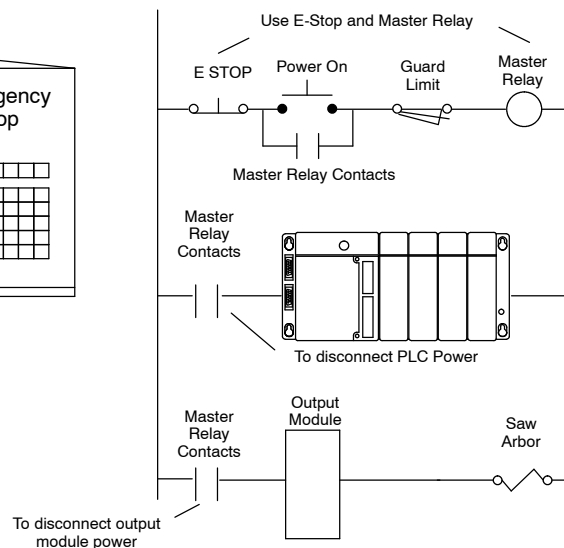
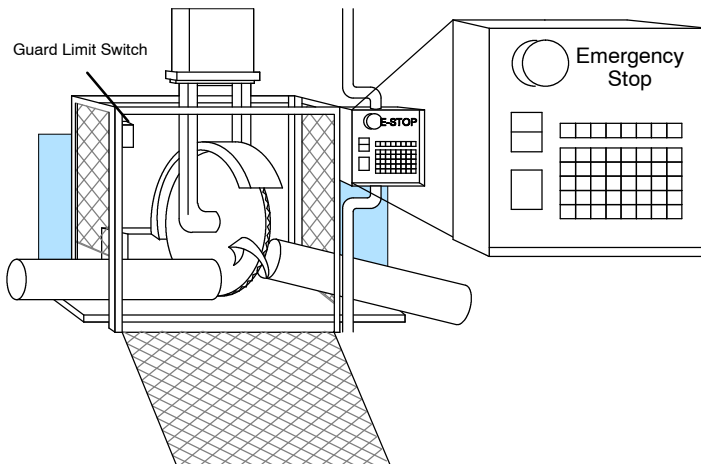


System Power Disconnect

By using electro-mechanical devices such as master control relays and/or limit switches, you can prevent accidental equipment startup. When installed properly, these devices will prevent *any* machine operations from occurring.

For example, if the machine has a jammed part the control program can turn off the saw blade and retract the arbor. However, since the operator must open the guard to remove the part, you must include a disconnect switch that removes *all* system power any time the guard is opened.

The machine operator must also have a quick and easy method of manually disconnecting *all* system power. This is accomplished with a mechanical device that is clearly labeled as an **Emergency Stop** switch.



After an Emergency shutdown or any other type of power interruption, there may be requirements that must be met before the control program can be restarted. For example, there may be specific register values that must be established (or maintained from the state prior to the shutdown) before operations can resume. In this case, you may want to use retentive memory locations, or include constants in the control program to ensure a known starting point.

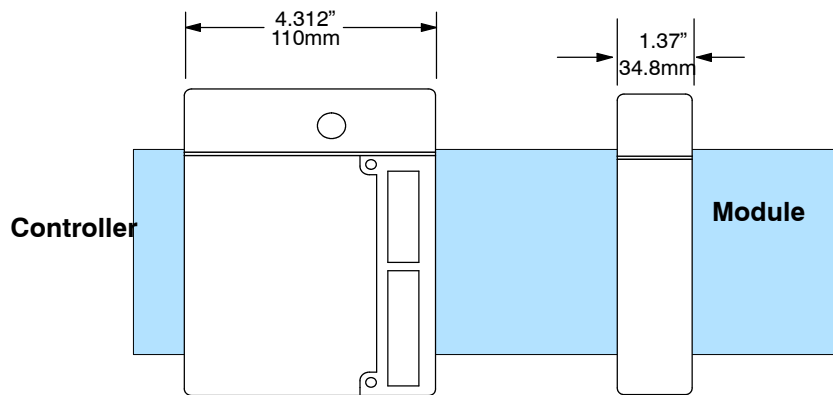
Mounting Guidelines

In addition to the panel layout guidelines, other specifications can affect the installation of a DL405 system. Always consider the following:

- Environmental specifications
- Power supply specifications
- Regulatory Agency Approvals
- Enclosure Selection and Component Dimensions

Base Dimensions

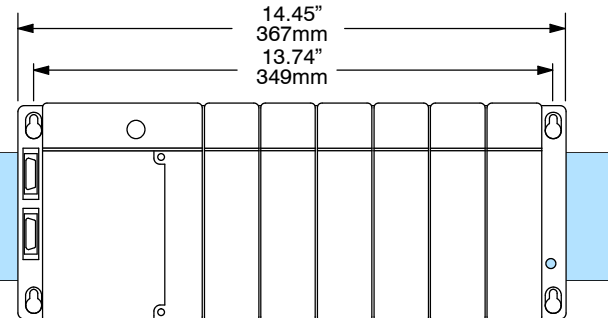
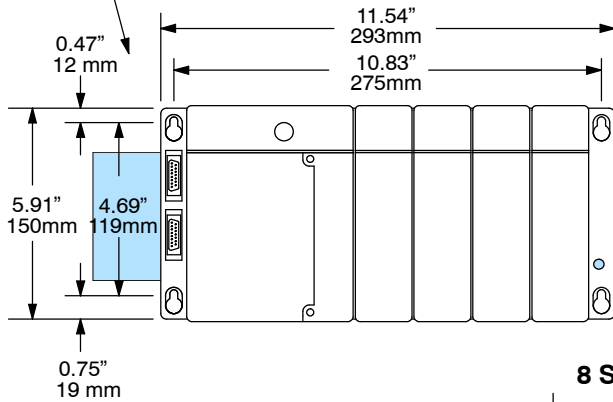
The following diagram shows the outside dimensions and mounting hole locations for the 4-slot, 6-slot, and 8-slot bases. Make sure you follow the installation guidelines to allow proper spacing from other components.



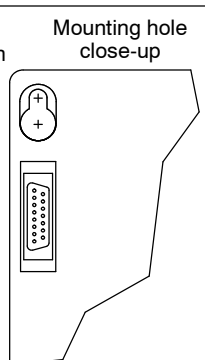
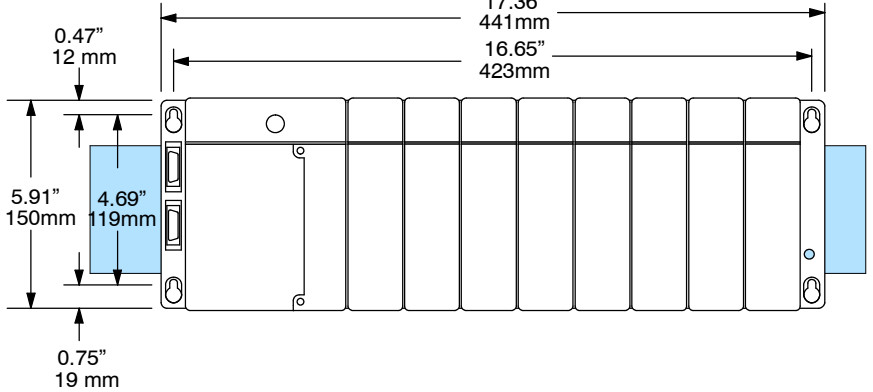
4 holes, clearance for M4 screw

4 Slot Base

6 Slot Base



8 Slot Base

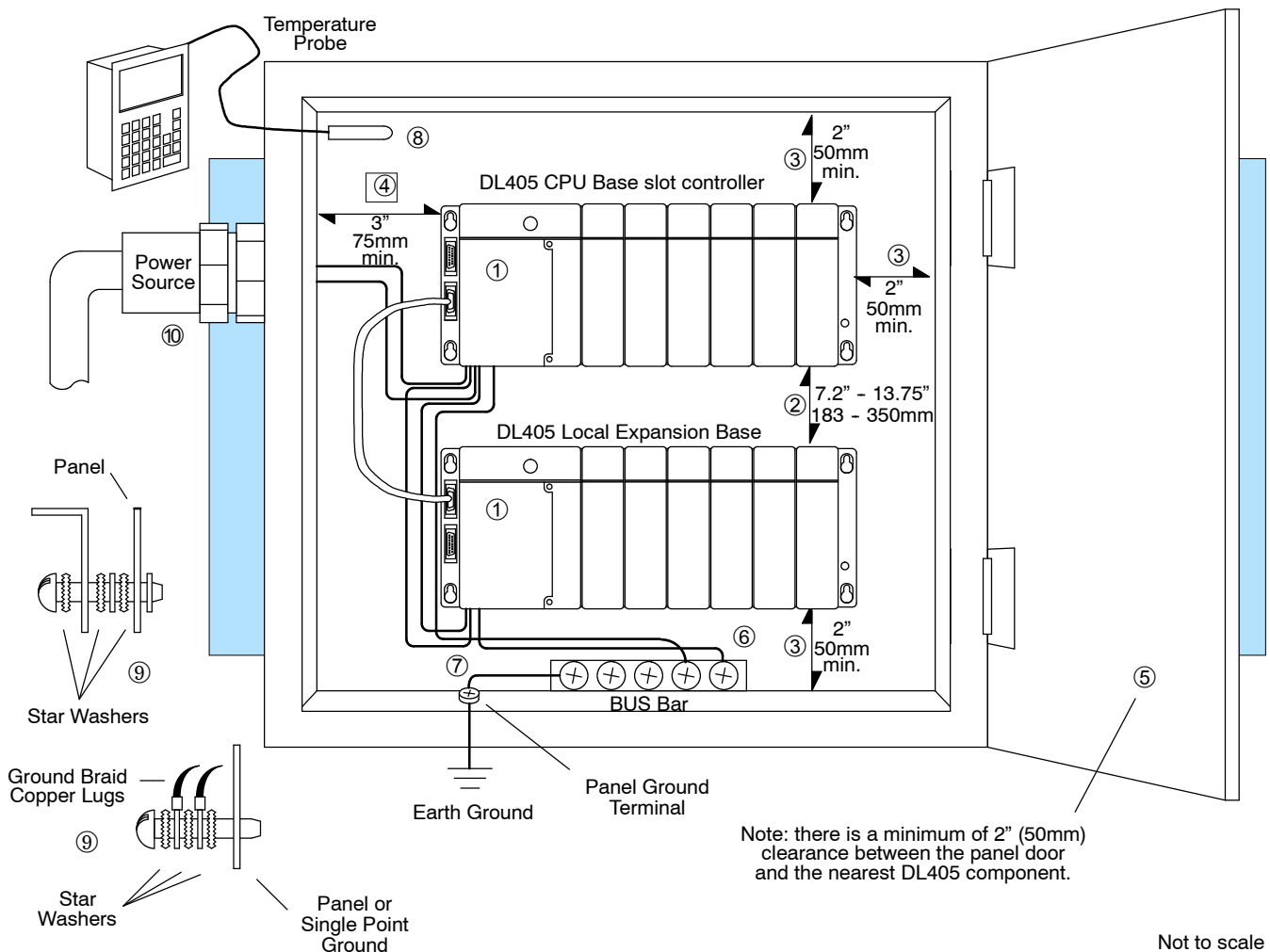


Base mounting dimensions given to upper (fully seated) location

Panel Layout & Clearances

There are many things to consider when designing the panel layout. The following items correspond to the diagram shown. Note: there may be additional requirements, depending on your application and use of other components in the cabinet.

1. The bases must be mounted horizontally to provide proper ventilation.
2. There should be a minimum of 7.2" (183mm) and a maximum of 13.75" (350mm) between bases.
3. A minimum clearance of 2" (50mm) between the base and the top, bottom and right side of the cabinet should be provided.
4. A minimum clearance of 3" (75mm) between the base and the left side of the cabinet should be provided.
5. There must be a minimum of 2" clearance between the panel door and the nearest DL405 component.



6. Connect the ground terminal on the DL405 base to a single point ground. Use copper stranded wire to achieve a low impedance. Copper eye lugs should be crimped and soldered to the ends of the stranded wire to ensure good surface contact. Remove anodized finishes and use copper lugs and star washers at termination points. A rule of thumb is to achieve 0.1 ohm of DC resistance between the DL405 base and the single point ground.

7. There must be a single point ground (i.e. copper bus bar) for all devices in the panel requiring an earth ground return. The single point of ground must be connected to the panel ground termination.

The panel ground termination must be connected to earth ground. For this connection you should use #12 AWG stranded copper wire as a minimum. Minimum wire sizes, color coding, and general safety practices should comply with appropriate electrical codes and standards for your area.

A good common ground reference (Earth ground) is essential for proper operation of the DL405, which include:

- a) Installing a ground rod as close to the panel as possible.
 - b) Connection to incoming power system ground.
8. Installations where the ambient temperature may approach the lower or upper limits of the specifications should be evaluated properly. To do this place a temperature probe in the panel, close the door and operate the system until the ambient temperature has stabilized. If the ambient temperature is not within the operating specification for the DL405 system, measures such as installing a cooling/heating source must be taken to get the ambient temperature within the DL405 operating specifications.
 9. Device mounting bolts and ground braid termination bolts should be #10 copper bolts or equivalent. Tapped holes instead of nut-bolt arrangements should be used whenever possible. To assure good contact on termination areas impediments such as paint, coating or corrosion should be removed in the area of contact.
 10. The DL405 system is designed to be powered by 110/220 VAC normally available throughout an industrial environment. Isolation transformers and noise suppression devices are not normally necessary, but may be helpful in eliminating/reducing suspect power problems.

Enclosures

Your selection of a proper enclosure is important to ensure safe and proper operation of your DL405 system. Applications of DL405 systems vary and may require additional features. The minimum considerations for enclosures include:

- Conformance to electrical standards
- Protection from the elements in an industrial environment
- Common ground reference
- Maintenance of specified ambient temperature
- Access to equipment
- Security or restricted access
- Sufficient space for proper installation, cooling, and maintenance

Agency Approvals

Some applications require agency approvals. The DL405 agency approvals for which DL405 products are submitted are;

- UL (Underwriters' Laboratories, Inc.)
- CE EMC (Electromagnetic Compatibility)
- CUL (Canadian Underwriters' Laboratories)

A complete listing of agency approvals for each product in the DL405 family is available in the sales catalog, or you may call 1-770-844-4200.

Environmental Specifications

The following table lists the environmental specifications that generally apply to the DL405 system (Slot Controller, Expansion Unit, Bases, I/O Modules). I/O module operation may fluctuate depending on the ambient temperature and your application. Please refer to the appropriate I/O module specifications for the temperature derating curves applying to specific modules.

Specification	Rating
Storage temperature	-4° F to 158° F (-20° C to 70° C)
Ambient operating temperature	32° F to 140° F (0° C to 60° C)
Ambient humidity	5% - 95% relative humidity (non-condensing)
Vibration resistance	MIL STD 810C, Method 514.2
Shock resistance	MIL STD 810C, Method 516.2
Noise immunity	NEMA (ICS3-304)
Atmosphere	No corrosive gases

Power

The external power source must be capable of supplying voltage and current complying with the power supply specifications.

Specifications	
Voltage withstand (dielectric strength)	1 min. @ 1500 VAC between primary, secondary, field ground and run relay
Insulation resistance	> 10M Ω at 500 VDC
Input voltage range H4-EBC (-F)/ D4-EX	85-132 VAC (110 range) / 170-264 VAC (220 range)
Input voltage range D4-EXDC	20-29 VDC (24VDC) less than 10% ripple
Input voltage range D4-EXDC-2	90-146 VDC (125 VDC) less than 10% ripple
Maximum inrush current H4-EBC (F) / D4-440 / D4-EX	20A
Maximum inrush current D4-EXDC	10A
Maximum inrush current D4-EXDC-2	20A
Maximum power H4-EBC (F)/D4-EX	50VA
Maximum power D4-EXDC	38W
Maximum power D4-EXDC-2	30W
24VDC Auxiliary Power Supply H4-EBC (F)/D4-EX	20-28 VDC @ 0.4A maximum, ripple > 1V p-p

Installing DL405 Bases

Three Sizes of Bases

All I/O configurations of the DL405 will use a selection of either 4, 6 or 8 slot base(s). Local and expansion bases can be 4, 6, or 8-slot in size. Local and expansion bases differ only in how they are wired in a system.

Local Base

Expansion cable input connection

Expansion cable output connection

Expansion cable

Expansion Bases

Expansion Power Supplies

8 slot base

6 slot base

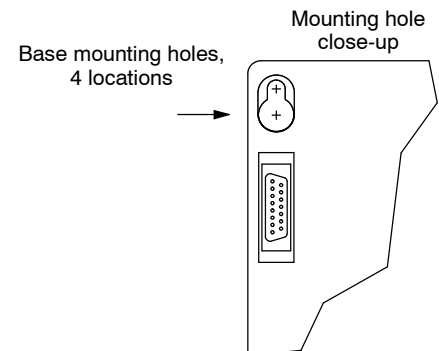
4 slot base

WARNING: To minimize the risk of electrical shock, personal injury, or equipment damage, always disconnect the system power before installing or removing any system component.

Mounting the Base

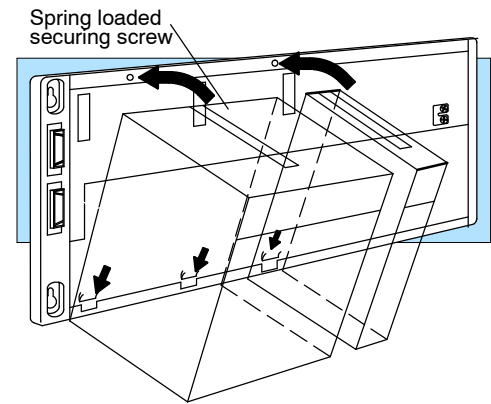
The CPU slot controller/Expansion Unit must always be installed in the left-most slot in a base. This slot is marked on the base as P/S, CPU. The I/O modules can be installed in any remaining slots. It is not necessary for all slots to be filled for your system to work correctly. You may use filler modules to fill the empty slots in the base.

The base is secured to the equipment panel or machine using four M4 screws in the corner locations shown to the right. The mounting cut-outs allow removal of the base after installation, without completely removing the mounting screws. Full mounting template dimensions are given in the previous section on Mounting Guidelines.



Installing Components in the Base

1. Note the components have plastic tabs at the bottom and a screw at the top.
2. With the device tilted slightly forward, hook the plastic tabs into the notch on the base.
3. Then gently push the top of the component back toward the base until it is firmly installed into the base.
4. Now tighten the screw at the top of the device to secure it to the base.



WARNING: To minimize the risk of electrical shock, personal injury, or equipment damage, always disconnect the system power before installing or removing any system component.

Base Wiring

The main power terminal connections are under the front covers of the controllers. Please refer to the applicable User manual for the base wiring guidelines.

I/O Wiring and Specifications

In This Chapter. . . .

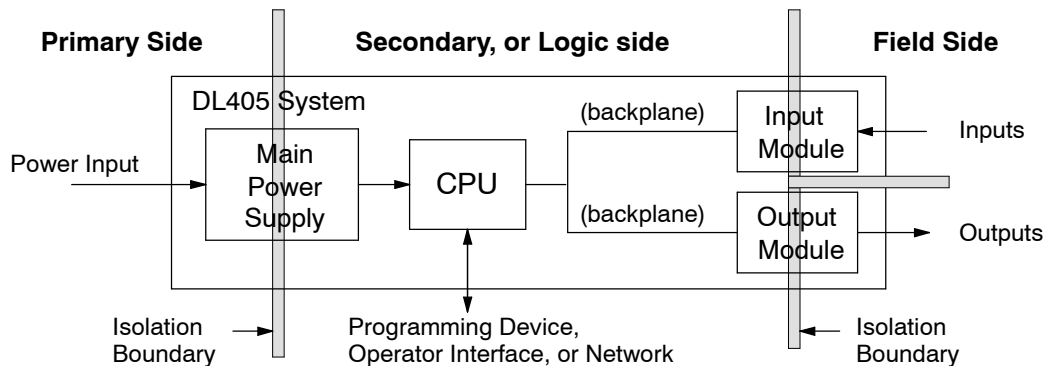
- I/O Wiring Strategies
 - I/O Module Wiring and Specifications
 - Glossary of Specification Terms
 - I/O Module Wiring diagrams
-

I/O Wiring Strategies

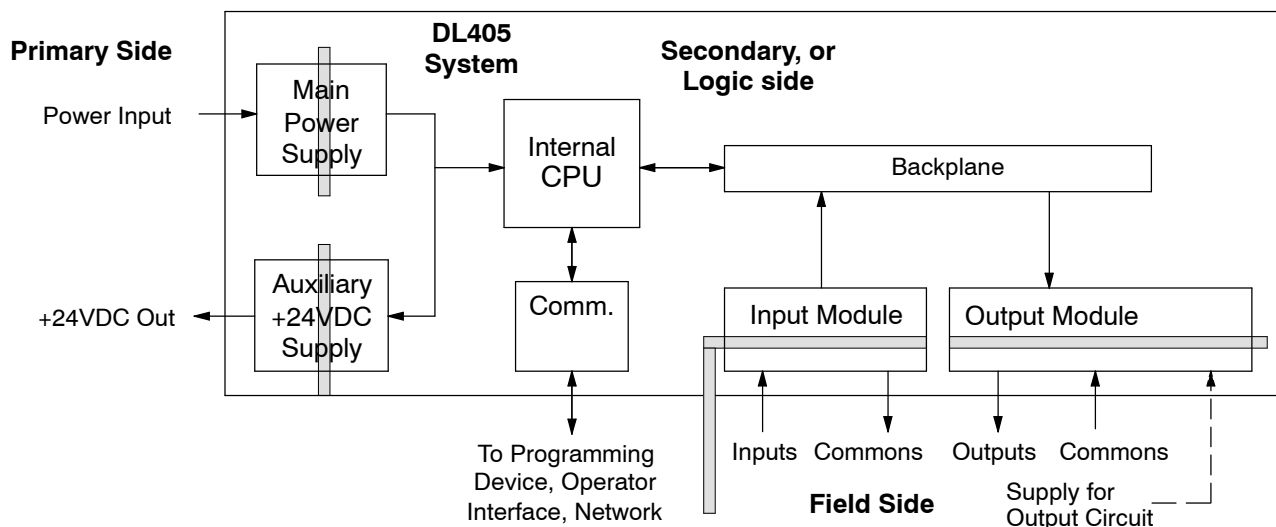
DL405 System Isolation Boundaries

The DL405 system is very flexible and will work in many different wiring configurations. By studying this section before actual installation, you should find the best wiring strategy for your application. This will help to lower system cost, wiring errors, and avoid safety problems.

DL405 system circuitry is divided into three main regions separated by isolation boundaries, shown in the drawing below. Electrical isolation provides safety, so that a fault in one area does not damage another. A transformer in the power supply provides magnetic isolation between the primary and secondary sides. Opto-couplers provide optical isolation in Input and Output circuits. This isolates logic circuitry from the field side, where factory machinery connects. Note that the discrete inputs are isolated from the discrete outputs, because each is isolated from the logic side. Isolation boundaries protect the operator interface (and the operator) from power input faults or field wiring faults. *When wiring a DL405 system, it is extremely important to avoid making external connections that connect logic side circuits to any other.*



The next figure shows the physical layout of a DL405 system, as viewed from the front. In addition to the basic circuits covered above, AC-powered units include an auxiliary +24VDC power supply with its own isolation boundary. Since the supply output is isolated from the other three circuits, it can power input and/or output circuits!

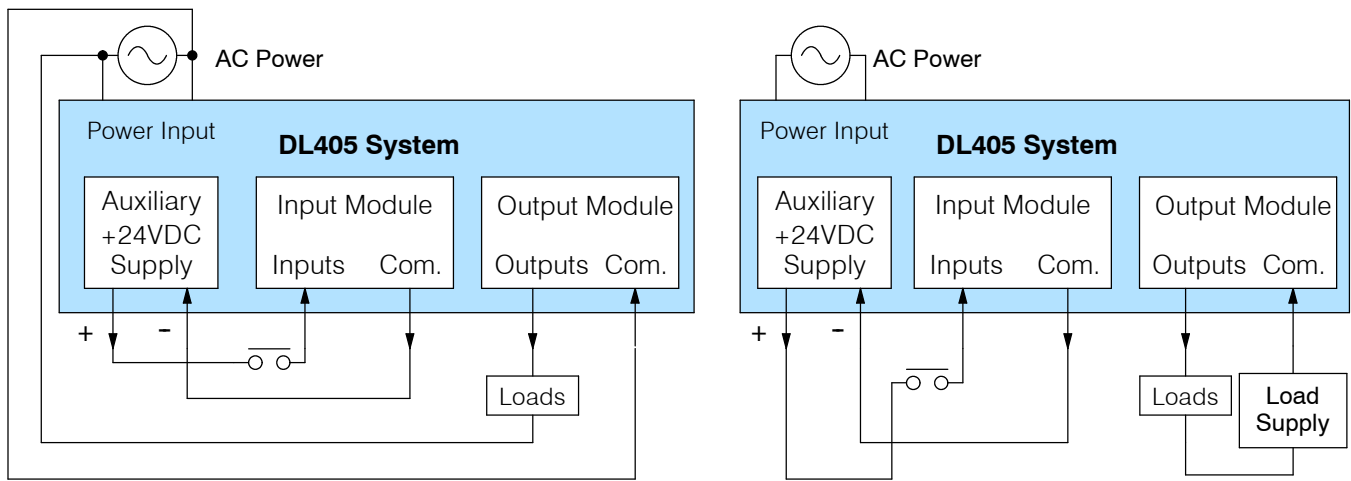


In some cases, using the built-in auxiliary +24VDC supply can result in a cost savings for your control system. It can power combined loads up to 400 mA. Be careful not to exceed the current rating of the supply. If you are the system designer for your application, you may be able to select and design in field devices which can use the +24VDC auxiliary supply.

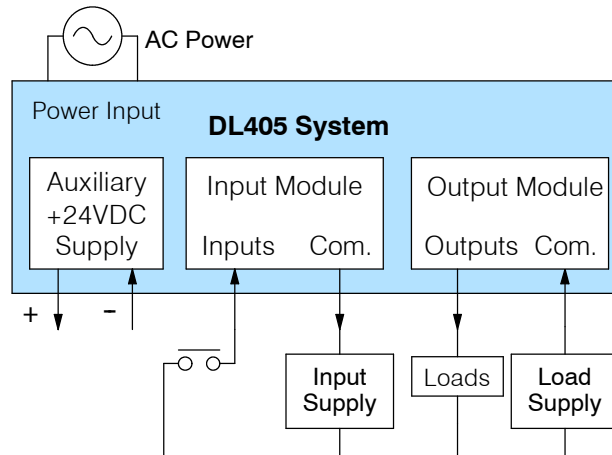
Powering I/O Circuits Using Separate Supplies

In most applications it will be necessary to power the input devices from one power source, and to power output loads from another source. Loads often require high-energy AC power, while input sensors use low-energy DC. If a machine operator is likely to come in close contact with input wiring, then safety reasons also require isolation from high-energy output circuits. It is most convenient if the loads can use the same power source as the DL405 system, and the input sensors can use the auxiliary supply, as shown to the left in the figure below.

If the loads cannot be powered from the system supply, then a separate supply must be used as shown to the right in the figure below.



A worst-case scenario, from a cost and complexity view-point, is an application which requires separate power sources for the DL405 system, input devices, and output loads. The example wiring diagram below on the right shows how this can work, but also that the auxiliary supply output is an unused resource.



Sinking / Sourcing Concepts

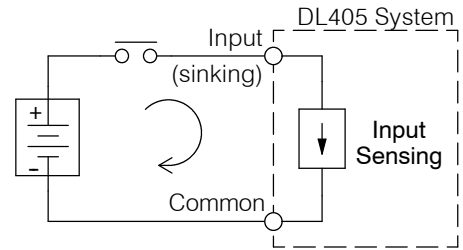
This next section helps to provide a solid understanding of “sinking” and “sourcing” concepts. Use of these terms occurs frequently in input or output circuit discussions. It is the goal of this section to make these concepts easy to understand, further ensuring success in installation.

Sinking = provides a path to supply ground (-)

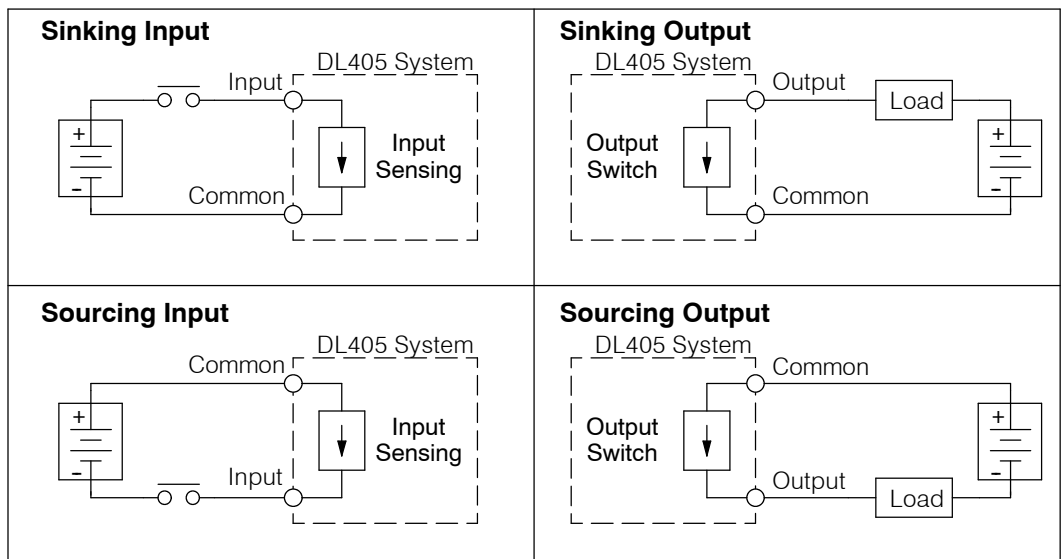
Sourcing = provides a path to supply source (+)

Sinking and sourcing terminology only applies to DC input and output circuits because of the reference to (+) and (-) polarities. Input and output points that are sinking or sourcing *only* can conduct current in only one direction. This means it is possible to connect the external supply and field device to the I/O point with current trying to flow in the wrong direction, and the circuit will not operate. However, you can successfully connect the supply and field device every time by understanding “sourcing” and “sinking”.

For example, the figure to the right illustrates a “sinking” input. To properly connect the external supply, we just have to connect it so the input *provides a path to ground (-)*. Start at the DL405 system input terminal, follow through the input sensing circuit, exit at the common terminal, and connect the supply (-) to the common terminal. By adding the switch, between the supply (+) and the input, we have completed the circuit. Current flows in the direction of the arrow when the switch is closed.

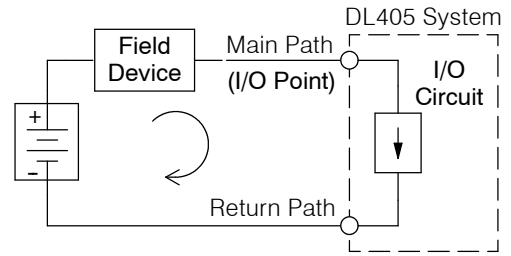


By applying the circuit principle above to the four possible combinations of input/output sinking/sourcing types, you have the four circuits as shown below. The I/O module specifications at the end of this chapter list the input or output type.

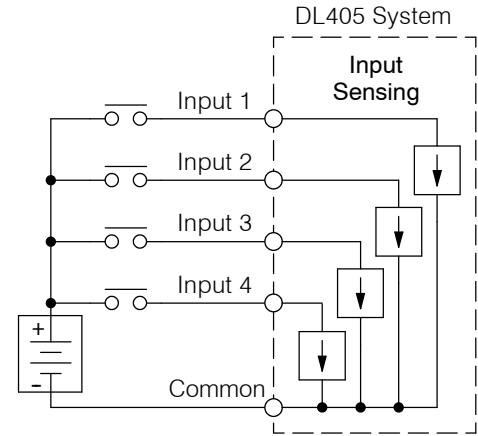


I/O “Common” Terminal Concepts

In order for an I/O circuit to operate, current must enter at one terminal and exit at another. This means at least two terminals are associated with every I/O point. In the figure to the right, the Input or Output terminal is the *main path* for the current. One additional terminal must provide the *return path* to the power supply.



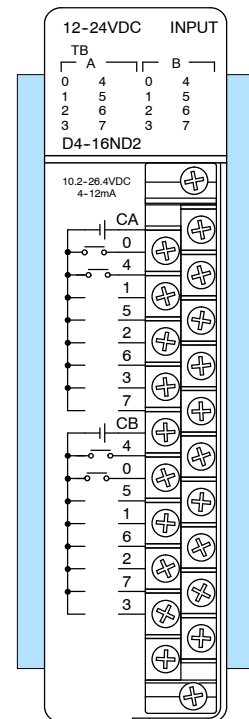
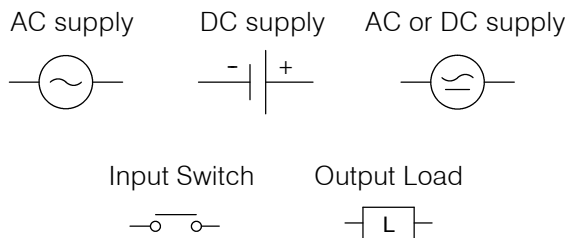
If there was unlimited space and budget for I/O terminals, then every I/O point could have two dedicated terminals as the figure above shows. However, providing this level of flexibility is not practical or even necessary for most applications. Most Input or Output points are in groups which share the return path (called *commons*). The figure to the right shows a group (or *bank*) of 4 input points which share a common return path. In this way, the four inputs require only five terminals instead of eight.



NOTE: In the circuit above, the current in the common path is 4 times any channel’s input current when all inputs are energized. This is important in output circuits where heavier gauge wire is sometimes necessary on commons.

Most DL405 input and output modules group their I/O points into banks that share a common return path. The best indication of I/O common grouping is on the wiring label, such as the one shown to the right. The miniature schematic shows two circuit banks with eight input points in each. The common terminal for each is labeled “CA” and “CB”, respectively.

In the wiring label example, the positive terminal of a DC supply connects to the common terminals. Some symbols you will see on the wiring labels, and their meanings are:

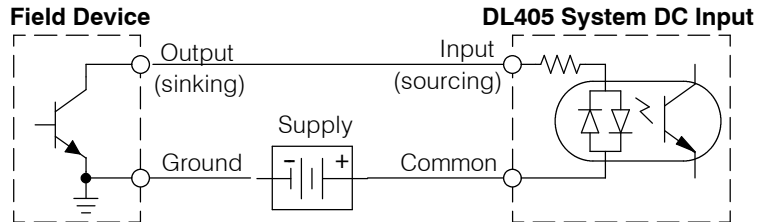


Connecting DC I/O to “Solid State” Field Devices

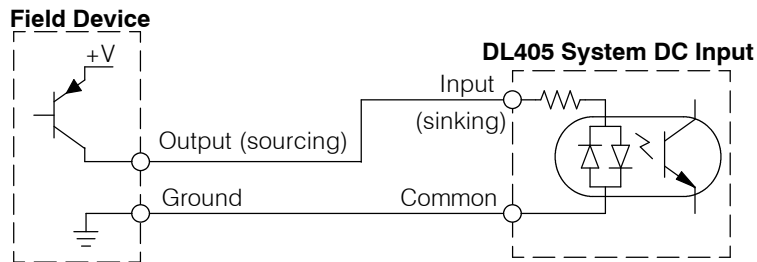
In the previous section on Sourcing and Sinking concepts, we explained that DC I/O circuits sometimes will only allow current to flow one way. This is also true for many of the field devices which have solid-state (transistor) interfaces. In other words, field devices can also be sourcing or sinking. *When connecting two devices in a series DC circuit, one must be wired as sourcing and the other as sinking.*

Solid State Input Sensors

Several DL405 DC input modules are flexible in that they detect current flow in either direction, so they can be wired as either sourcing or sinking. In the following circuit, a field device has an open-collector NPN transistor output. It sinks current from the input point, which sources current. The power supply can be the +24 auxiliary supply or another supply (+12 VDC or +24VDC), as long as the input specifications are met.



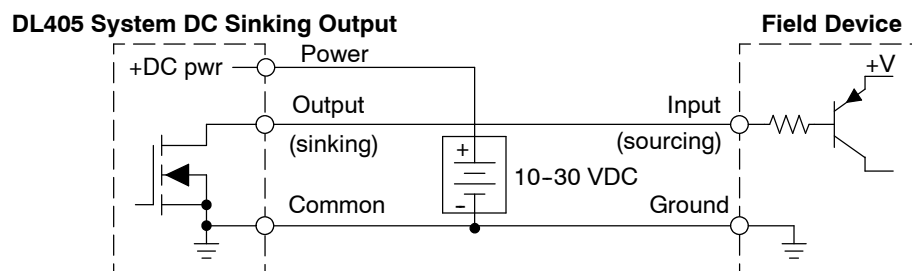
In the next circuit, a field device has an open-emitter PNP transistor output. It sources current to the input point, which sinks the current back to ground. Since the field device is sourcing current, no additional power supply is required.



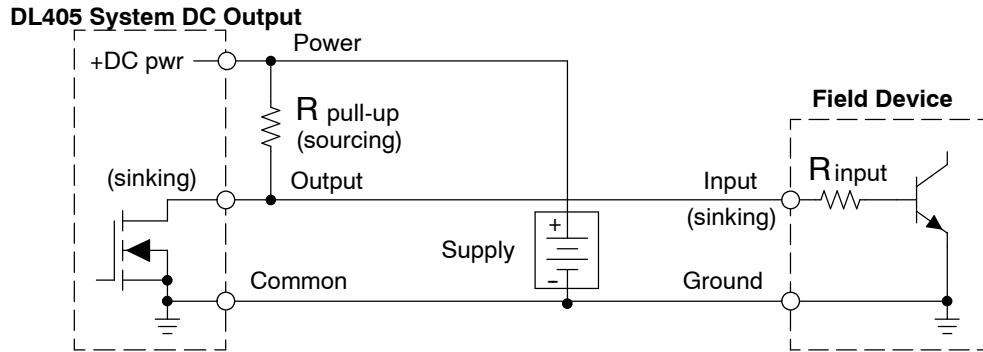
Solid State Output Loads

Sometimes an application requires connecting an output point to a solid state input on a device. This type of connection is usually made to carry a low-level control signal, not to send DC power to an actuator.

Several of the DL405 DC output modules are the sinking type. This means that each DC output provides a path to ground when it is energized. In the following circuit, the output point sinks current to the output common when energized. It is connected to a sourcing input of a field device input.



In the next example a sinking DC output point is connected to the sinking input of a field device. This is different, because both the DL405 system output and field device input are sinking type. Since the circuit must have one sourcing and one sinking device, a sourcing capability is added to the system output by using a pull-up resistor. In the circuit below, connect R_{pull-up} from the output to the DC output circuit power input.



NOTE 1: DO NOT attempt to drive a heavy load (>25 mA) with this pull-up method
NOTE 2: Using the pull-up resistor to implement a sourcing output has the effect of inverting the output point logic. In other words, the field device input is energized when the DL405 system output is OFF, from a ladder logic point-of-view. Your ladder program must comprehend this and generate an inverted output. Or, you may choose to cancel the effect of the inversion elsewhere, such as in the field device.

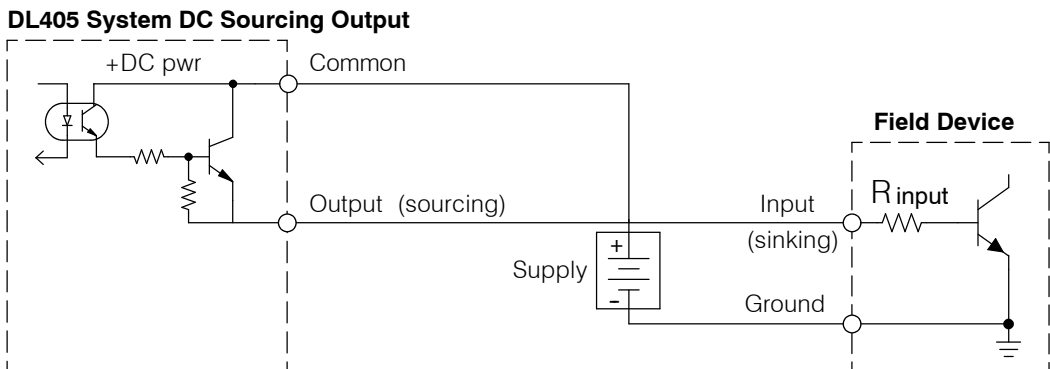
It is important to choose the correct value of R_{pull-up}. In order to do so, the nominal input current to the field device (I_{input}) when the input is energized needs to be identified. If this value is not known, it can be calculated as shown (a typical value is 15 mA). Then use I_{input} and the voltage of the external supply to compute R_{pull-up}. Next calculate the power P_{pull-up} (in watts), in order to size R_{pull-up} properly.

$$I_{input} = \frac{V_{input (turn-on)}}{R_{input}}$$

$$R_{pull-up} = \frac{V_{supply} - 0.7}{I_{input}} - R_{input}$$

$$P_{pull-up} = \frac{V_{supply}^2}{R_{pullup}}$$

The easiest way to drive a sinking input field device as shown below is to use a DC sourcing output module. The Darlington NPN stage will have about 1.5 V ON-state saturation, but this is not a problem with low-current solid-state loads.



Relay Output Guidelines

Four output modules in the DL405 I/O family feature relay outputs: D4-08TR, F4-08TRS-1, F4-08TRS-2, D4-16TR. Relays are best for the following applications:

- Loads that require higher currents than the solid-state outputs can deliver
- Cost-sensitive applications
- Some output channels need isolation from other outputs (such as when some loads require different voltages than other loads)

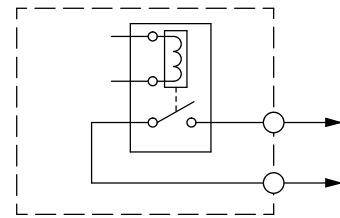
Some applications in which NOT to use relays:

- Loads that require currents under 10 mA
- Loads which must be switched at high speed or heavy duty cycle

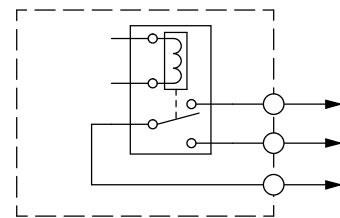
Relay outputs in the DL405 output modules are available in two contact arrangements, shown to the right. The Form A type, or SPST (single pole, single throw) type is normally open and is the simplest to use. The Form C type, or SPDT (single pole, double throw) type has a center contact which moves and a stationary contact on either side. This provides a normally closed contact and a normally open contact.

Some relay output module's relays share common terminals, which connect to the wiper contact in each relay of the bank. Other relay modules have relays which are completely isolated from each other. In all cases, the module drives the relay coil when the corresponding output point is on.

Relay with Form A contacts



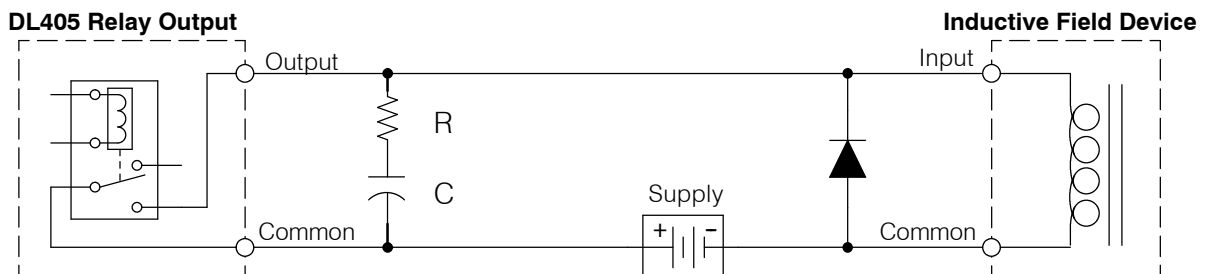
Relay with Form C contacts



Prolonging Relay Contact Life

Relay contacts wear according to the amount of relay switching, amount of spark created at the time of open or closure, and presence of airborne contaminants. However, there are some steps you can take to help prolong the life of relay contacts:

- Switch the relay on or off only when the application requires it.
- If you have the option, switch the load on or off at a time when it will draw the least current.
- Take measures to suppress inductive voltage spikes from inductive DC loads such as contactors and solenoids (circuit given below).



Adding external contact protection may extend relay life beyond the number of contact cycles listed in the specification tables for relay modules. High current inductive loads such as clutches, brakes, motors, direct-acting solenoid valves, and motor starters will benefit the most from external contact protection.

The RC network must be located close to the relay module output connector. To find the values for the RC snubber network, first determine the voltage across the contacts when open, and the current through them when closed. If the load supply is AC, then convert the current and voltage values to peak values:

$$C (\mu\text{F}) = \frac{I^2}{10} \quad R (\Omega) = \frac{V}{10 \times I^x}, \text{ where } x = 1 + \frac{50}{V}$$

C minimum = 0.001 μF , the voltage rating of C must be V , non-polarized

R minimum = 0.5 Ω , 1/2 W, tolerance is 5%

For example; a relay contact drives a load at 120VAC, 1/2 A. Since this example has an AC power source, first, calculate the peak values:

$$I_{\text{peak}} = I_{\text{rms}} \times 1.414, = 0.5 \times 1.414 = 0.707 \text{ Amperes}$$

$$V_{\text{peak}} = V_{\text{rms}} \times 1.414 = 120 \times 1.414 = 169.7 \text{ Volts}$$

Now, finding the values of R and C:

$$C (\mu\text{F}) = \frac{I^2}{10} = \frac{0.707^2}{10} = 0.05 \mu\text{F}, \text{ voltage rating } 170 \text{ Volts}$$

$$R (\Omega) = \frac{V}{10 \times I^x}, \text{ where } x = 1 + \frac{50}{V}$$

$$x = 1 + \frac{50}{169.7} = 1.29 \quad R (\Omega) = \frac{169.7}{10 \times 0.707^{1.29}} = 16 \Omega, 1/2 \text{ W}, 5\%$$

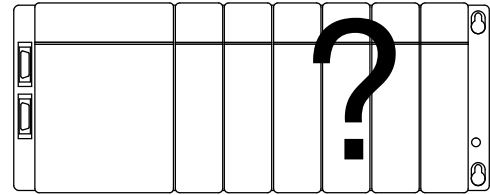
If the contact is switching a DC inductive load, add a diode across the load as near to load coil as possible. When the load is energized the diode is reverse-biased (high impedance). When the load is turned off, energy stored in its coil is released in the form of a negative-going voltage spike. At this moment the diode is forward-biased (low impedance) and shunts the energy to ground. This protects the relay contacts from the high voltage arc that would occur just as the contacts are opening.

For best results, follow these guidelines in using a noise suppression diode:

- DO NOT use this circuit with an AC power supply.
- Place the diode as close to the inductive field device as possible.
- Use a diode with a peak inverse voltage rating (PIV) at least 100 PIV, 3A forward current or larger. Use a fast-recovery type (such as Schottky type). DO NOT use a small-signal diode such as 1N914, 1N941, etc.
- Be sure the diode is in the circuit correctly before operation. If installed backwards, it short-circuits the supply when the relay energizes.

I/O Module Wiring and Specifications

Module Placement Before wiring the I/O modules in your system to field devices, it's very important to make sure each I/O module is in the right slot and base in the system. Costly wiring errors may be avoided by doing the following:



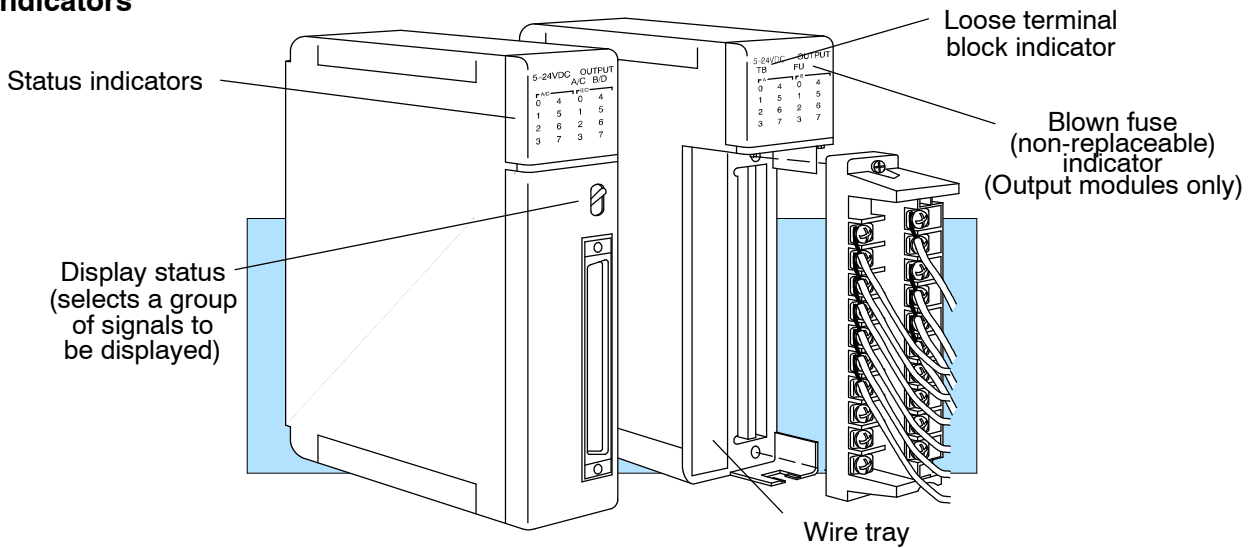
- Perform the power budget calculations for each base to verify the base power supply can power all the modules in the base.
- Whenever possible, keep modules with high voltage and current wiring away from sensitive analog modules.



NOTE: Please refer to the applicable Base Controller User manual for the power budget requirements and worksheets.

I/O Module Status Indicators

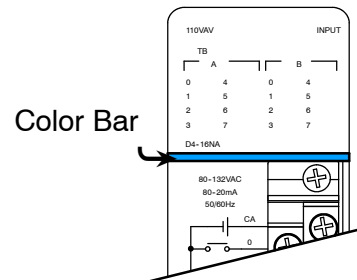
The diagram below shows the status indicator location for common I/O modules.



Color Coding of I/O Modules

The DL405 family of I/O modules have a color-coded stripe on the front bezel to help identify whether the module type is input, output, or special module. The color code description is listed below:

Module Type	Color Code
Discrete/Analog Output	Red
Discrete/Analog Input	Blue
Other	White

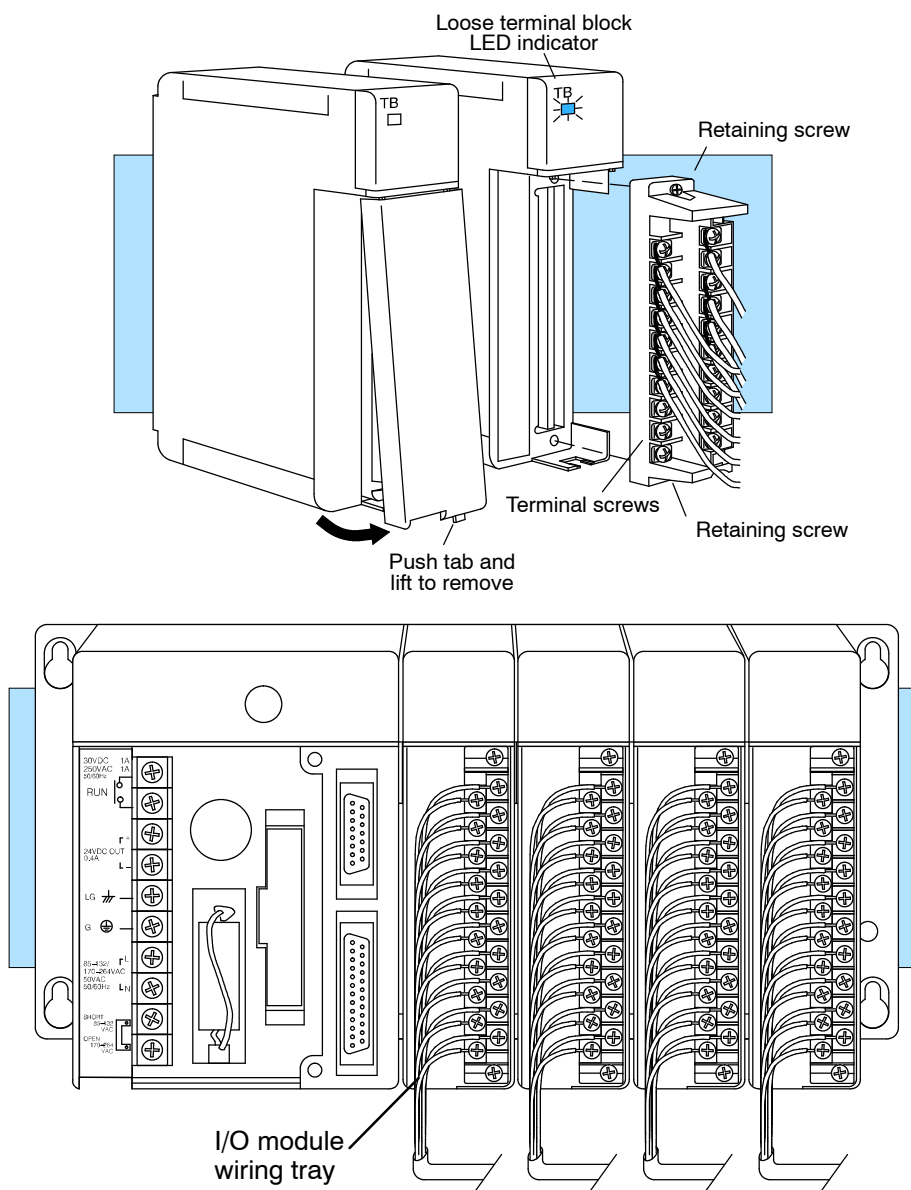


Wiring a Module with a Terminal Block

You must first remove the front cover of the module prior to wiring. To remove the cover depress the bottom tab of the cover and tilt the cover up to loosen from the module.

All DL405 I/O module terminal blocks are removable for your convenience. To remove the terminal block loosen the retaining screws and lift the terminal block away from the module. When you return the terminal block to the module make sure the terminal block is tightly seated. Be sure to tighten the retaining screws. You should also verify the loose terminal block LED indicator is off when system power is applied.

WARNING: For some modules, field device power may still be present on the terminal block even though the system is turned off. To minimize the risk of electrical shock, disconnect all field device power *before* you remove the connector.

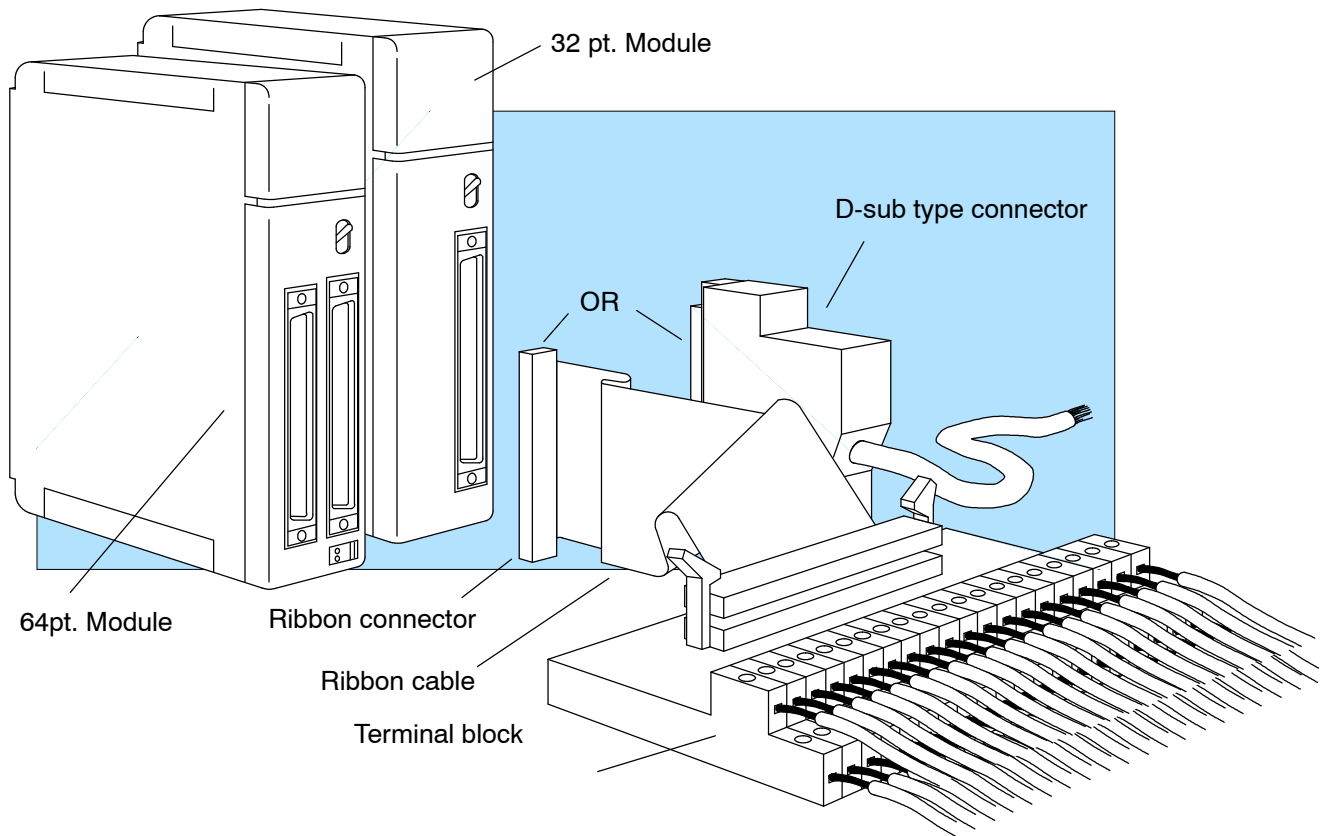


Wiring a Module using a Ribbon Cable/Solder Type Connector

The 32 point and 64 point modules use a different style of connector due to the increased number of I/O points. There are two types of connectors used with the higher density modules. One is a D-shell connector, which requires soldering. The other is a ribbon cable type of connector which simply crimps onto a ribbon cable.

For the 64 point modules, you must either use ribbon cable connectors, or special solder type connectors designed specifically for the 64 point modules. Order part number D4-IO3264S, which includes 2 solder-type connectors in the pack, or order D4-IO32R, which contains 2 ribbon cable type connectors in the pack.

NOTE: For another alternative wiring solution, consider using Automationdirect.com's **ZIPLink** Connection systems. The **ZIPLink** cables plug directly into a Automationdirect.com I/O module. The opposite end is connected to a **ZIPLink** connector module. Please refer to our catalog for more information on these products.



Part Numbers for Module Connectors

Both types of connectors are available from Automationdirect.com. These same connectors are also available from other Fujitsu Microelectronics, Inc. Use the following part numbers to order these connectors.

Automationdirect.com Part Numbers

- D4-IO3264R — Ribbon cable connectors, 2 in a pack. Can be used on either 32 point or 64 point modules.
- D4-IO3264S — Solder type connector, 2 in a pack. Can be used on either 32 point or 64 point modules.

Fujitsu Part Numbers

For connectors made by Fujitsu, you may contact Fujitsu at the following address:

Fujitsu Microelectronics, Inc.
Electronic Components Division
3545 North First Street
San Jose, CA 95134-1804 USA
408-922-9000

- FCN-367J040-AU/F, or -AG/F — 32 / 64 point ribbon cable connector
- FCN-361J040-AU, or -AG — 32 / 64 point solder type connector

(AU connectors use gold over palladium plating. AG connectors use silver plating.)

Vendors For the Parts Used in the Terminal Block Configuration

If you wish to use a terminal block with your 32 or 64 point module, here is a partial list of vendors who can provide the parts you will need to build the configuration shown earlier consisting of a ribbon cable, a ribbon cable connector and a terminal block.

Vendors	
3M Electronic Products Division 6801 River Place Blvd. Austin, TX 78726-9000 800-225-5373	DuPont Connector Systems Barley Mill Plaza Wilmington, DE 19898-0019 800-237-2374
Augat/RDI 525 Randy Rd. Carol Stream, IL 60188 708-682-4100	Phoenix Contacts Products P.O. Box 4100 Harrisburg, PA 17111-0100 717-944-1300
AMP Incorporated P.O. Box 3608 Harrisburg, PA 17105-3608 717-564-0100	Thomas & Betts Electronics Div. 200 Executive Center Drive Greenville, SC 29616 803-676-2900
Cooper Industries, Belden Div. P.O. Box 1980 Richmond, IN 47375 317-983-5200	Weidmuller, Inc. 821 Southlake Blvd. Richmond, VA 23236 804-794-2877
Newark Electronics 4108 North Ravenswood Ave. Chicago, IL 60640 312-784-5100	(Newark Electronics is a distributor for all of the above product manufacturers except for Phoenix Contacts Products)

Ribbon Cable

The chart below lists cables which can be used to connect the terminal block with a 32 I/O module. The cables are 40 conductors with a .050" pitch PVC stranded ribbon cable.

Description/Type	Vendor	Part Number
Gray / 26 AWG	3M	3801 / 40
Gray / 26 AWG	Belden	9L260 40
Gray / 28 AWG	Belden	9L280 40
Gray / 28 AWG	DuPont	76825-040
Gray / 28 AWG	AMP	499116-5
Color coded / 26 AWG	3M	3811 / 40
Color coded / 28 AWG	Belden	9R280 40
Color coded / 28 AWG	DuPont	76177-040

Ribbon Cable Connectors

The ribbon cable connectors listed below are for attaching the ribbon cable to the terminal block. The cables are all .100" x .100" 2 x20 female ribbon connectors with a center bump.

Description/Type	Vendor	Part Number
Connector	3M	3417-7640
Strain Relief	3M	3448-3040
Connector	3M	3417-7640
Strain Relief	3M	3448-3040
Connector (pre-assembled)	3M	89140-0103-T0
Strain Relief	3M	3448-89140
Connector (with strain relief)	Thomas & Betts	622-4041
Connector (pre-assembled)	AMP	746286-9
Strain Relief	AMP	499252-1
Connector (with strain relief)	DuPont	66902-240
Connector (with strain relief)	Molex	15-29-9940

Interface Terminal Block

Below are terminal blocks which can be used to transition a 40 conductor ribbon cable to 40 discrete field wires. The terminal block features are: 2 x 20 .100" x .100" pin center (male) connector head terminals (.2" centers) accepting 22-12 AWG, no fuses.

Description/Type	Vendor	Part Number
Panel Mount	Weidmuller	RI-40A /914897
Rail Mount		RI-40A /914908
Rail Mount	Phoenix Contacts	FLKM 40 / 2281076
Special Mount (DIN rail compatible) includes ribbon connector	Augat/RDI	2M40FC

I/O Wiring Checklist

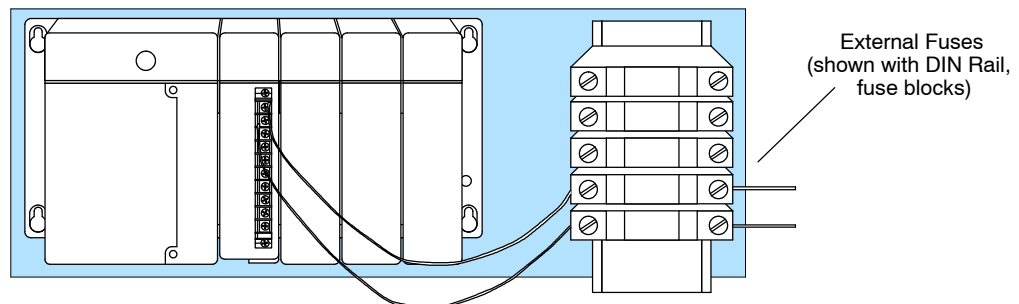
Use the following guidelines when wiring the I/O modules in your system.

- Step1 - Note the limits to the size of wire the modules can accept. The table below lists the maximum AWG for each module type. Smaller AWG is acceptable to use for each of the modules.

Module type	Maximum AWG
8 point	12
16 point	14
32 point - common	20
32 point - other	24
64 point	24 (requires ribbon cable)
F4-08THM-X	10 (Thermocouple wire)

Note: 12 AWG Type TFFN or Type MTW can be used on 8pt. modules.
14 AWG Type TFFN or Type MTW can be used on 16pt. modules.

- Step2 - Always use a continuous length of wire. Do not splice wires to attain a needed length.
- Step3 - Use the shortest possible wire length.
- Step4 - Where possible use wire trays for routing .
- Step5 - Avoid running wires near high energy wiring.
- Step6 - Avoid running input wiring close to output wiring where possible.
- Step7 - To minimize voltage drops when wires must run a long distance, consider using multiple wires for the return lines.
- Step8 - Where possible avoid running DC wiring in close proximity to AC wiring.
- Step9 - Avoid creating sharp bends in the wires.
- Step10 - **IMPORTANT!** To help avoid having a module with a blown fuse, we suggest you add external fuses to your I/O wiring. A fast blow fuse, with a lower current rating than the I/O module fuse can be added to each common, or a fuse with a rating of slightly less than the maximum current per output point can be added to each output.



NOTE: For modules which have soldered-in or non-replaceable fuses, we recommend that you return your module to us and let us replace your blown fuse(s) since disassembling the module will void the warranty.

**DL405 Discrete
Input Module Chart**

The following table lists the available DL405 input modules.

DL405 Input Module Type	Number of Input Points	DC Current Sink Input	DC Current Source Input	AC Input
D4-16ND2	16		✓	
D4-16ND2F	16		✓	
D4-32ND3-1	32	✓	✓	
D4-32ND3-2	32	✓	✓	
D4-64ND2	64	✓		
D4-08NA	8			✓
D4-16NA (-1)	16			✓
D4-16NE3	16	✓	✓	✓
F4-08NE3S	8	✓	✓	✓
D4-08ND3S	8	✓	✓	

**DL405 Discrete
Output Module
Chart**

The following table lists the available DL405 output modules. Specifications begin after the input modules' specifications.

DL405 Output Module Type	Number of Output Points	DC Current Sink Output	DC Current Source Output	AC Output
D4-08TD1	8	✓		
F4-08TD1S	8	✓		
D4-16TD1	16	✓		
D4-16TD2	16		✓	
D4-32TD1	32	✓		
D4-32TD1-1	32	✓		
D4-32TD2	32		✓	
D4-64TD1	64	✓		
D4-08TA	8			✓
D4-16TA	16			✓
D4-08TR	8	✓	✓	✓
F4-08TRS-1	8	✓	✓	✓
F4-08TRS-2	8	✓	✓	✓
D4-16TR	16	✓	✓	✓

Special Input
Module Chart

Specification	F4-08THM-n	F4-08RTD
Channels	8	8
Input Ranges	Type E: -270/1000°C (-450/1832°F) Type J: -210/760°C (-350/1390°F) Type K: -270/1370°C (-450/2500°F) Type R: 0/1768°C (-32/3214°F) Type S: 0/1768°C (-32/3214°F) Type T: -270/400°C (-450/752°F) Type C: 0/2320°C (-32/4208°F) Type B: 141/1820°C (286/3594°F) Type P: -99/1395°C (-146/2543°F) -1: 0 to 50mV -2: 0 to 100mV -3: 0 to 25mV	Pt100Ω: -200.0/850.0°C (-328/ 562°F) Pt1000Ω: -200.0/595.0°C (-328/1103°F) jPt100Ω: -38.0/450.0°C (-36/842°F) Cu. 25Ω, Cu. 10Ω: -200.0/260.0°C (-328/500°F)
Resolution	12 bit (1 in 4096)	15 bit (1 in 32768)
Maximum Inaccuracy	1° C type J,K,E,T thermocouples 3° C type R,S,B,C,P thermocouples	0.2% at 25°C (77°F)

Special Input
Module Chart

Specification	F4-08THM
Channels	8
Input Ranges	Type J: -190/760°C (-310/1400°F) Type E: -210/1000°C (-346/1832°F) Type K: -150/1372°C (-238/2502°F) Type R: 65/1768°C (149/3214°F) Type S: 65/1768°C (149/3214°F) Type T: -230/400°C (-382/752°F) Type B: 529/1820°C (984/3308°F) Type N: -70/1300°C (-94/2372°F) Type C: 65/2320°C (149/4208°F) -1: 0 to 50mV -2: 0 to 100mV -3: 0 to 25mV
Resolution	16 bit (1 in 65535)
Maximum Inaccuracy	3° C (excluding thermocouple error)

Analog Input
Module Chart

Specification	F4-04AD	F4-04ADS	F4-08AD
Channels	4	4	8
Input Ranges	0-20 mA, 4-20 mA, 1-5V, 0-5V, 0-10V, 5V, 10V	0-20 mA, 4-20 mA, 1-5V, 0-5V, 0-10V, 5V, 10V	0-20 mA, 4-20 mA, 1-5V, 0-5V, 0-10V, 5V, 10V
Resolution	12 bit (1 in 4096)	12 bit (1 in 4096)	12 bit (1 in 4096)
Input Type	Single ended	Isolated	Single ended
Maximum Inaccuracy	0.4% at 25°C (77°F) 0.55% at 0° to 60°C (32° to 140°F)	0.4% at 25°C (77°F) 0.7% at 0° to 60°C (32° to 140°F)	0.3% at 25°C (77°F) 0.5% at 0° to 60°C (32° to 140°F)

Analog Output Module Chart

Specification	D4-02DA	F4-04DA	F4-04DA-1
Channels	2	4	4
Output Ranges	4-20 mA, 1-5V, 0-10V	4-20 mA, 0-5V, 0-10V, 5V, 10V	4-20mA
Resolution	12 bit (1 in 4096)	12 bit (1 in 4096)	12 bit (1 in 4096)
Output Type	Independent	Single ended	Single ended
Maximum Inaccuracy	0.2% at 25°C (77°F)	0.5% at 60°C (unipo.) 0.7% at 60°C (bipol.) 0.8% at 60°C (curr.)	0.1 % at 25°C (77°F) 0.3 % at 0 to 60°C (32 to 140°F)
Specification	F4-04DA-2	F4-08DA-1	F4-16DA-1
Channels	4	8	16
Output Ranges	0-5V, 0-10V, 5V, 10V	4-20mA	4-20 mA
Resolution	12 bit (1 in 4096)	12 bit (1 in 4096)	12 bit (1 in 4096)
Output Type	Single ended	Single ended	Single ended
Maximum Inaccuracy	0.2 % at 25°C (77°F) 0.4% at 0° to 60°C (32° to 140°F)	0.2% at 25°C (77°F) 0.4% at 0° to 60°C (32° to 140°F)	0.2 % at 25°C (77°F) 0.4 % at 0° to 60°C (32° to 140°F)
Specification	F4-04DAS-1	F4-08DA-2	F4-16DA-2
Channels	4	8	16
Output Ranges	4-20 mA	0-5v, 0-10v	0-5v, 0-10v, Combination of both
Resolution	16 bit (1 in 65536)	12 bit (1 in 4096)	12 bit (1 in 4096)
Output Type	Single ended	Single ended	Single ended
Maximum Inaccuracy	0.07 % at 25°C(77°F) 0.18% at 0° to 60°C (32° to 140°F)	0.2% at 25°C (77°F) 0.4% at 0° to 60°C (32° to 140°F)	0.2 % at 25°C (77°F) 0.4 % at 0° to 60°C (32° to 140°F)

Glossary of Specification Terms

Inputs or Outputs Per Module	Indicates number of electrical input or output points per module and designates current sinking, current sourcing, or either.
Commons Per Module	Number of electrical commons per module. A common is a connection to an input or output module which is shared by multiple I/O circuits. It is usually in the return path to the power supply of the I/O circuit.
Input Voltage Range	The operating voltage range of an input circuit, measured from an input point to its common terminal, when the input is ON.
Output Voltage Range	The output voltage range of an output circuit, measured from an output point to its common terminal, when the output is OFF.
Peak Voltage	Maximum voltage allowed for an input or output circuit for a short duration.
AC Frequency	AC modules are designed to operate within a specific frequency range.
ON Voltage Level	The minimum voltage level at which an input point will turn ON.
OFF Voltage Level	The maximum voltage level at which an input point will turn OFF.
Input Impedance	The electrical resistance measured between an input point and its common point. Since this resistance is non-linear, it may be listed for various input currents.
Input Current	Typical operating current for an active (ON) input.
Minimum ON Current	The minimum current for the input circuit to operate reliably in the ON state.
Maximum OFF Current	The maximum current for the input circuit to operate reliably in the OFF state.
Minimum Load	The minimum load current required for an output circuit to operate properly.
External DC Required	Some output modules require external power for the output circuitry.
On Voltage Drop	Sometimes called “saturation voltage”, it is the voltage measured from an output point to its common terminal when the output is ON, at max. load.
Maximum Leakage Current	The maximum current a connected maximum load will receive when the output point is OFF.
Maximum Inrush Current	The maximum current used by a load for a short duration upon an OFF to ON transition of a output point. It is greater than the normal ON state current and is characteristic of inductive loads in AC circuits.
Base Power Required	The +5VDC power from the base required to operate the module. Be sure to observe the base power budget calculations.
OFF to ON Response	The time the module requires to process an OFF to ON state transition.
ON to OFF Response	The time the module requires to process an ON to OFF state transition.
Status Indicators	The LEDs that indicate the ON/OFF status of an input or output point. These LEDs are electrically located on the logic (CPU) side of the I/O interface circuit.
Terminal Type	Indicates whether the module’s connector is removable or non-removable.
Weight	Indicates the weight of the module.
Fuses	Protective device for an output circuit, which stops current flow when current exceeds the fuse rating current. It may be replaceable or non-replaceable, or located externally or internally.

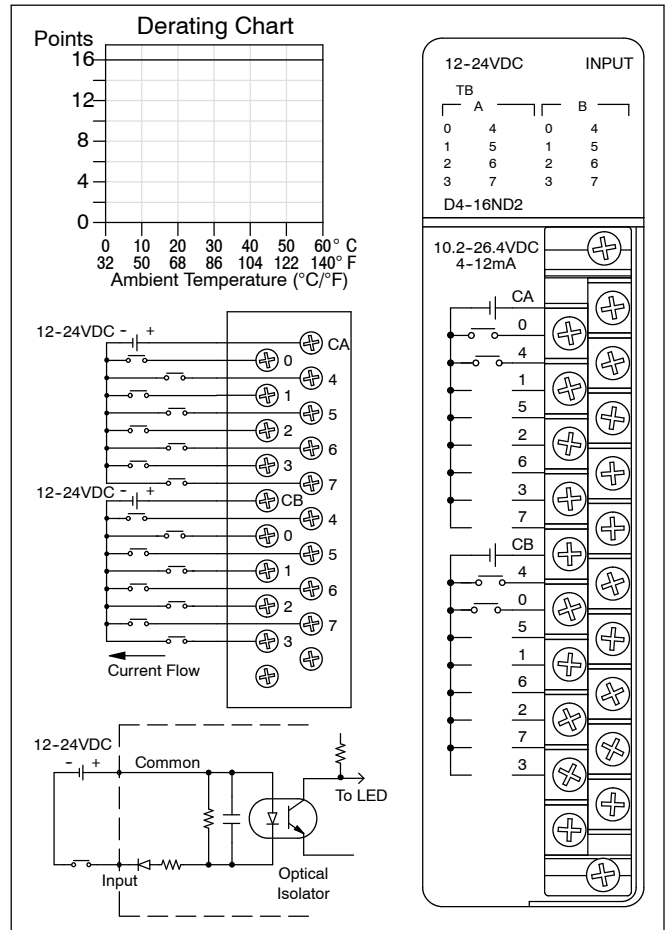
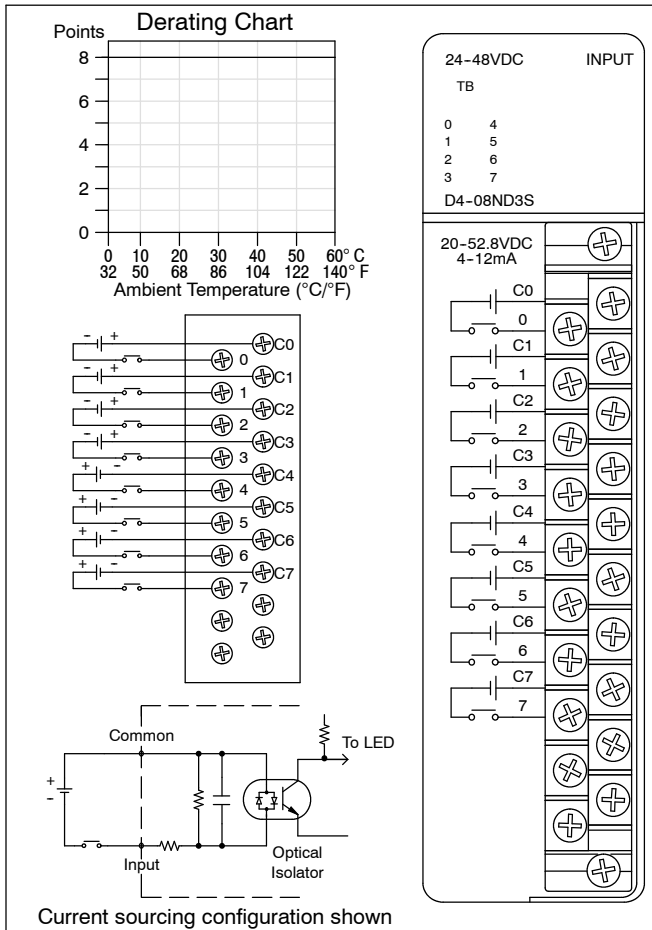
D4-08ND3S DC Input

Inputs per module	8 (sink/source)
Commons per module	8 (isolated)
Input voltage range	20-52.8VDC
Peak voltage	52.8VDC
ON voltage level	>18 V
OFF voltage level	< 7V
Input impedance	4.8 K Ω
Input current @ 24 / 48 VDC	5 mA / 10 mA
Minimum ON current	3.5 mA
Maximum OFF current	1.5 mA
Base power required 5V	100 mA max
OFF to ON response	3-10 ms
ON to OFF response	3-12 ms
Terminal type	Removable
Status indicators	Logic Side
Weight	8.8 oz. (250 g)

D4-16ND2 DC Input

Inputs per module	16 (current sourcing)
Commons per module	2 (isolated)
Input voltage range	10.2-26.4VDC
Peak voltage	26.4VDC
ON voltage level	> 9.5VDC
OFF voltage level	< 4.0 VDC
Input impedance	3.2 K Ω @ 12VDC 2.9 K Ω @24VDC
Input current @ 12 / 24VDC	3.8 mA / 8.3 mA
Minimum ON current	3.5 mA
Maximum OFF current	1.5 mA
Base power required 5V	150 mA max
OFF to ON response	1-7 ms (2.3 typical)
ON to OFF response	2-12 ms (4.6 typical)
Terminal type	Removable
Status indicators	Logic Side
Weight	8.8 oz. (250 g)

Specifications



D4-16ND2F DC Input

Inputs per module	16 (current sourcing)
Commons per module	2 (isolated)
Input voltage range	10.2-26.4VDC
Peak voltage	26.4VDC
ON voltage level	> 9.5VDC
OFF voltage level	< 4.0VDC
Input impedance	3.2 KΩ @ 12VDC 2.9 KΩ @ 24VDC
Input current @ 12 / 24 VDC	3.8 mA / 8.3 mA
Minimum ON current	3.5 mA
Maximum OFF current	1.5 mA
Base power required 5V	150 mA max
OFF to ON response	1 ms
ON to OFF response	1 ms
Terminal type	Removable
Status indicators	Logic Side
Weight	8.8 oz. (250 g)

D4-16SIM Input Simulator

Inputs per module	8 or 16, selectable
Base power required 5V	150 mA Max
Terminal type	None
Status indicators	Logic Side
Weight	8.8 oz. (250 g)

Derating Chart

Points vs. Ambient Temperature (°C/°F)

12-24VDC INPUT

TB			
A		B	
0	4	0	4
1	5	1	5
2	6	2	6
3	7	3	7

D4-16ND2F

10.2-26.4VDC +

4-12mA

12-24VDC

Common Input To LED

Optical Isolator

INPUT SIMULATOR

8 16			
A		B	
0	4	0	4
1	5	1	5
2	6	2	6
3	7	3	7

D4-16SIM

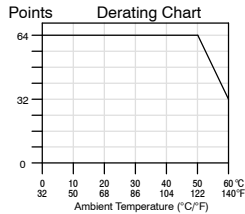
OFF ← → ON

8 or 16 input point selection switch is located on the back of the module

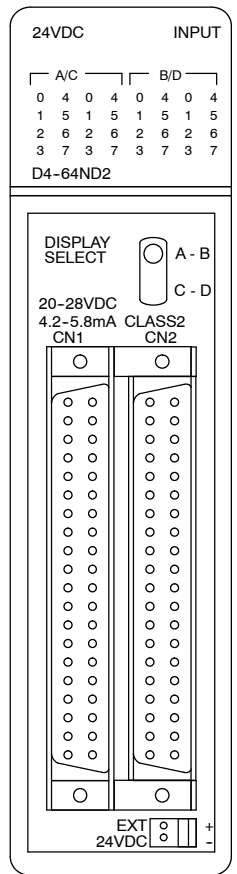
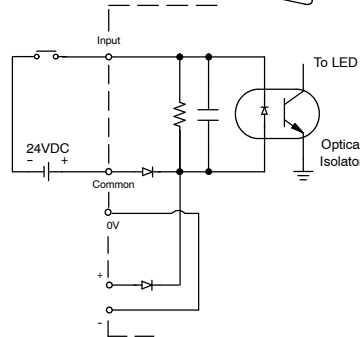
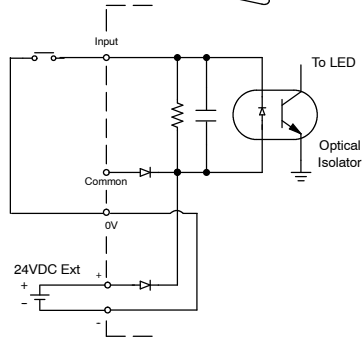
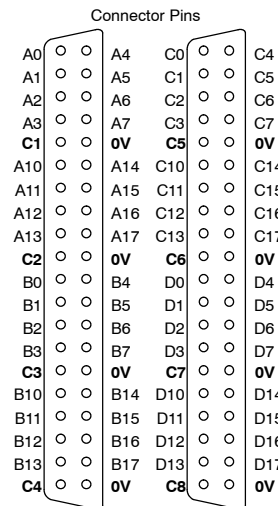
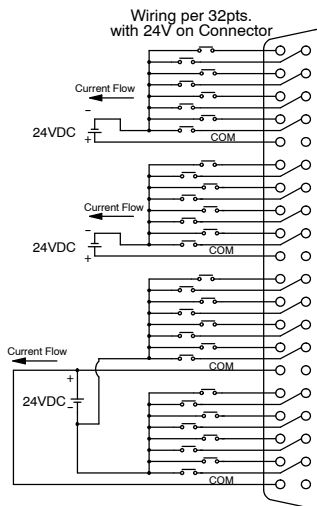
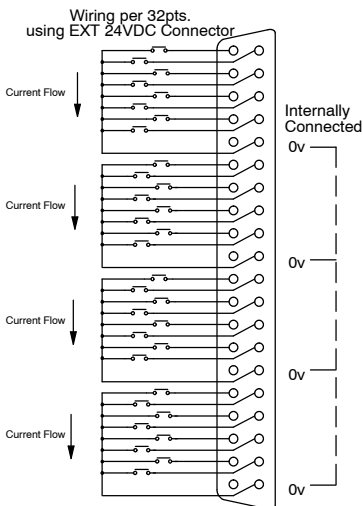
Switch position is indicated by the LEDs above the input switches

D4-64ND2, 24 VDC Input Module

Module Location	CPU base only *	Base power required 5V	300 mA max
Inputs per module	64 (current sourcing)	External power required (optional)	24VDC 10%, 320mA max
Commons per module	8 (isolated)	OFF to ON response	2.5 ms (typical)
Input voltage range	20 - 28 VDC	ON to OFF response	5.0 ms (typical)
Peak voltage	30 VDC	Terminal type	2, Removable 40 pin connectors (sold separately)
ON voltage level	> 20 V	Status indicators	Logic Side
OFF voltage level	< 13 V	Weight	7.8 oz. (220 g)
Input impedance	4.8 K Ω		
Input current	5.0 mA @ 24 VDC		
Minimum ON current	3.6 mA		
Maximum OFF current	2.6 mA		



Since there are only 32 LEDs on the module, you can only display the status for 32 points at one time. In the A - B position the status of the first group of 32 input points (A0-A17, B0-B17) are displayed (connector 1). In the C - D position the status of the second group of 32 input points (C0-C17, D0-D17) are displayed (connector 2).



* Module location - this module placement is restricted to the local base on DL430/DL440 systems. It may also be placed in expansion bases in DL450 systems that are using the new (-1) bases.

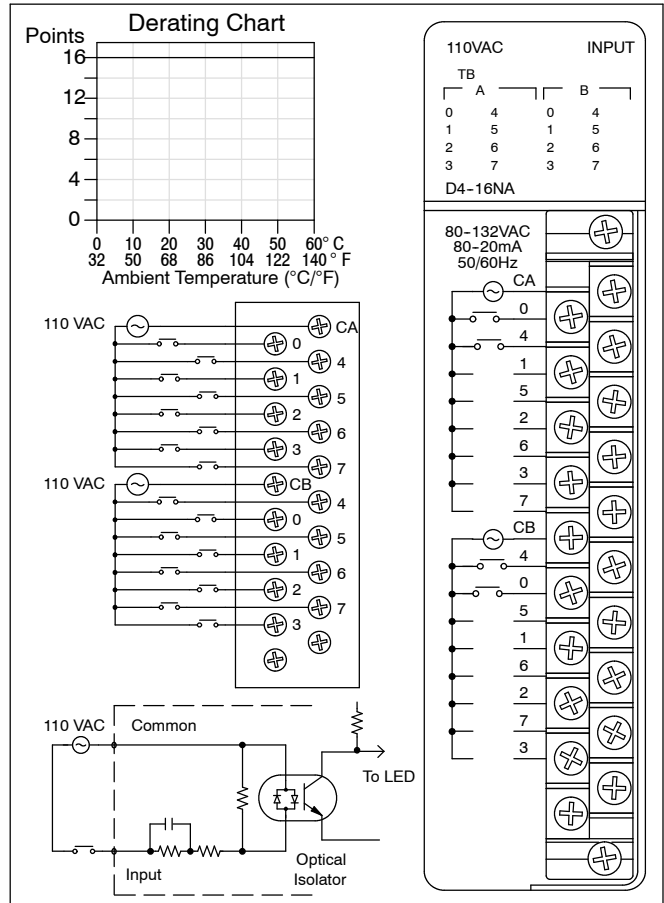
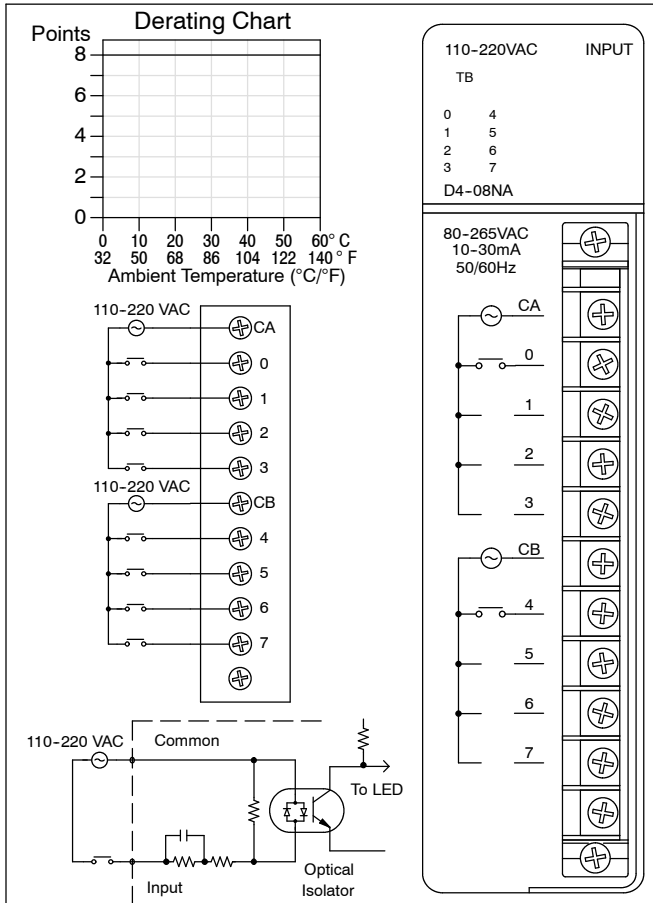
I/O Wiring and Specifications

D4-08NA 110-220VAC Input

Inputs per module	8
Commons per module	2 (isolated)
Input voltage range	80-265VAC
Peak voltage	265VAC
AC frequency	47-63 Hz
ON voltage level	> 70V
OFF voltage level	< 30 V
Input impedance	12 K Ω
Input current	8.5 mA @100VAC 20 mA @ 230VAC
Minimum ON current	5 mA
Maximum OFF current	2 mA
Base power required 5V	100 mA max
OFF to ON response	5-30 ms
ON to OFF response	10-50 ms
Terminal type	Removable
Status indicators	Logic Side
Weight	8.4 oz. (240 g)

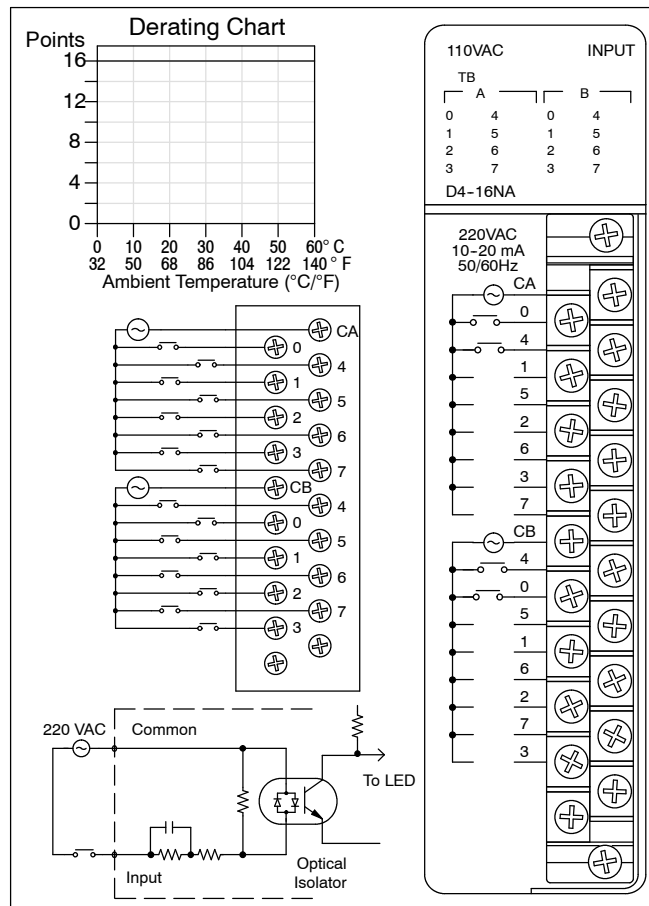
D4-16NA 110VAC Input

Inputs per module	16
Commons per module	2 (isolated)
Input voltage range	80-132VAC
Peak voltage	132VAC
AC frequency	47-63 Hz
ON voltage level	> 70V
OFF voltage level	< 20 V
Input impedance	8 K Ω
Input current	14.5 mA @120VAC
Minimum ON current	7 mA
Maximum OFF current	2 mA
Base power required 5V	150 mA max
OFF to ON response	5-30 ms
ON to OFF response	10-50 ms
Terminal type	Removable
Status indicators	Logic Side
Weight	9.5 oz. (270 g)



D4-16NA-1 220VAC Input

Inputs per module	16
Commons per module	2 (isolated)
Input voltage range	187-238VAC
Peak voltage	265VAC
AC frequency	47-63 Hz
ON voltage level	> 150V
OFF voltage level	< 40 V
Input impedance	22 K Ω
Input current	10.0 mA @220VAC
Minimum ON current	7 mA
Maximum OFF current	2 mA
Base power required 5V	150 mA max
OFF to ON response	5-30 ms
ON to OFF response	10-50 ms
Terminal type	Removable
Status indicators	Logic Side
Weight	9.5 oz. (270 g)



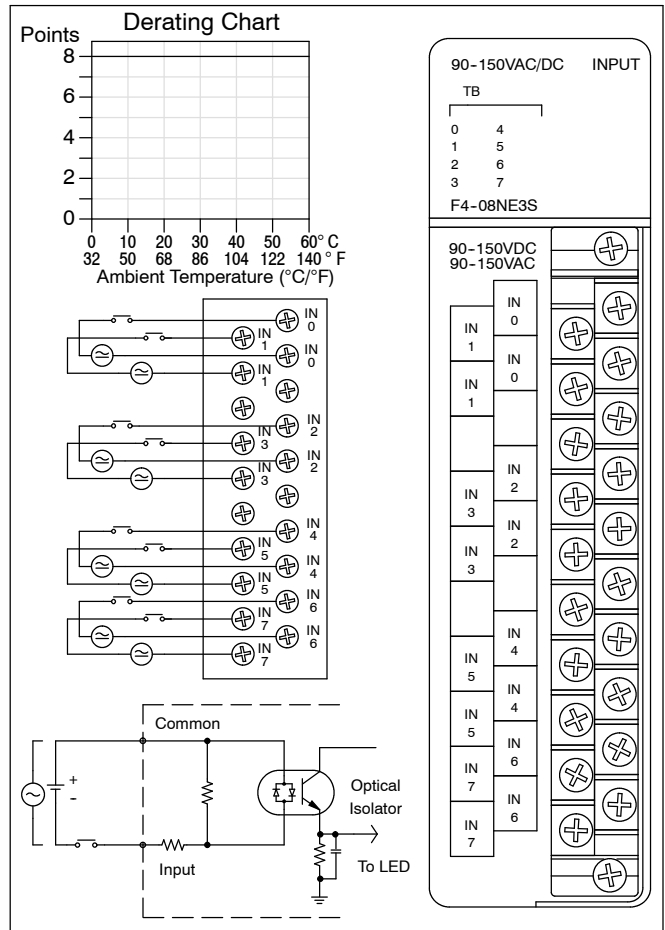
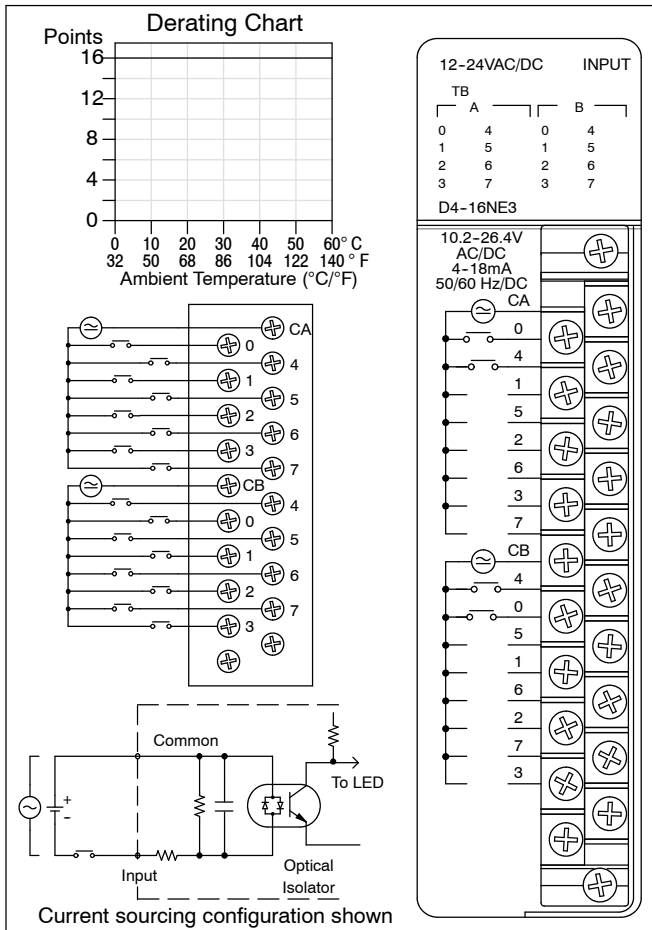
D4-16NE3 12-24VAC/DC Input

Inputs per module	16 (sink/source)
Commons per module	2 (isolated)
Input voltage range	10.2-26.4VAC/VDC
Peak voltage	37.5VAC/VDC
AC frequency	47-63 Hz
ON voltage level	> 9.5V
OFF voltage level	< 3.0V
Input impedance @ 12V/24V	3.2 K Ω / 2.9 K Ω
Input current @ 12V / 24V	3.8 mA / 8.3 mA
Minimum ON current	4 mA
Maximum OFF current	1.5 mA
Base power required 5V	150 mA max
OFF to ON response	5-40 ms
ON to OFF response	10-50 ms
Terminal type	Removable
Status indicators	Logic Side
Weight	8.8 oz. (250 g)

F4-08NE3S 90-150VAC/DC In

Inputs per module	8 (sink/source)
Commons per module	8 (isolated)
Input voltage range	90-150 VAC/VDC
Peak voltage	350 peak < 1ms
AC frequency	47-63 Hz
ON voltage level	> 90 VDC / 75VAC
OFF voltage level	< 60 VDC / 45VAC
Input impedance	22 K Ω
Input current	5.5 mA @ 120V
Minimum ON current	4 mA
Maximum OFF current	2 mA
Base power required 5V	90 mA max
OFF to ON response	8 ms
ON to OFF response	15 ms
Terminal type	Removable
Status indicators	Logic Side
Weight	9 oz. (256 g)

Specifications

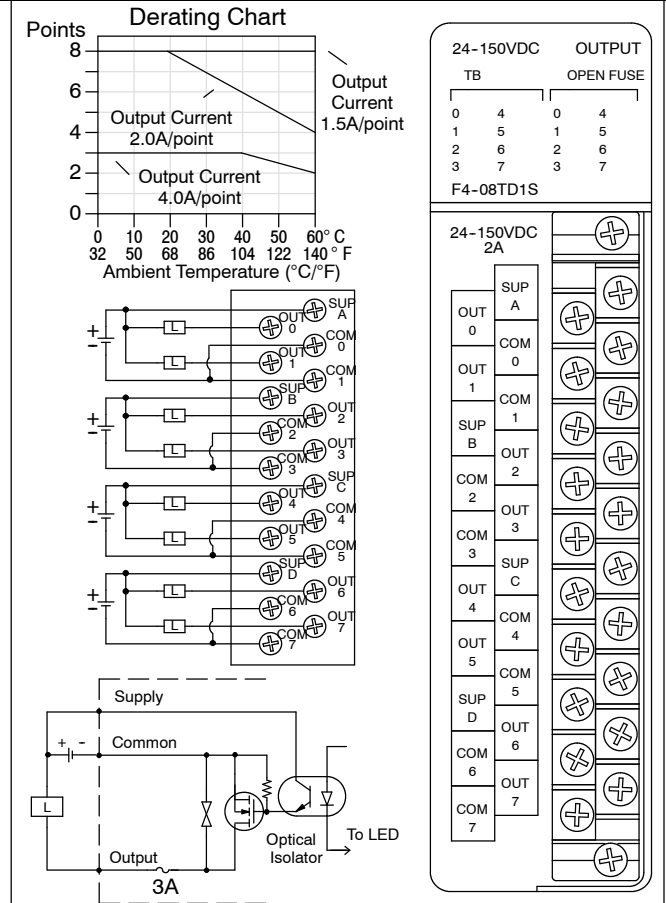
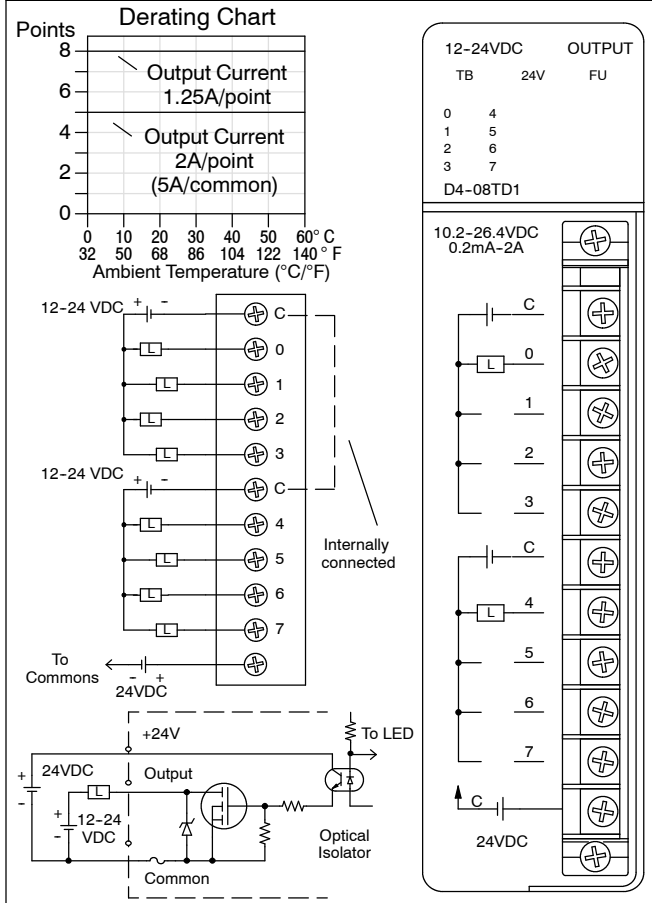


D4-08TD1 12-24 VDC Output

Outputs per module	8 (current sinking)
Commons per module	2 internally connected
Operating voltage	10.2-26.4VDC
Output type	NMOS FET (open drain)
Peak voltage	40VDC
ON voltage drop	0.5VDC @ 2A, 0.2 VDC @1A
Max current (resistive)	2A / point, 5A / common
Max leakage current	0.1mA @ 40VDC
Max inrush current	12A for 10 ms, 6A for 100 ms
Minimum load	0.2mA
Base power required 5V	150mA max
External DC required	24VDC 10% @ 35 mA
OFF to ON response	1 ms
ON to OFF response	1 ms
Terminal type	Removable
Status indicators	Logic Side
Weight	8.4 oz. (240 g)
Fuses (non-replaceable)	1 (7A) per common

F4-08TD1S 24-150 VDC Isolated Out

Outputs per module	8 (current sinking)
Commons per module	4 (isolated)
Operating voltage	24-150VDC
Output type	MOS FET
Peak voltage	200 VDC, <1mS
ON voltage drop	1VDC @ 2A
Max current	2A / point, 4A / common
Max leakage current	5 μ A
Max inrush current	30A /1ms, 6A / 10ms, 3A / 100ms
Minimum load	N/A
Base power required 5V	295 mA max
External DC required	None
OFF to ON response	25 μ s
ON to OFF response	25 μ s
Terminal type	Removable
Status indicators	Logic Side
Weight	10 oz. (282 g)
Fuses (non-replaceable)	1 (3A) per output



I/O Wiring and Specifications

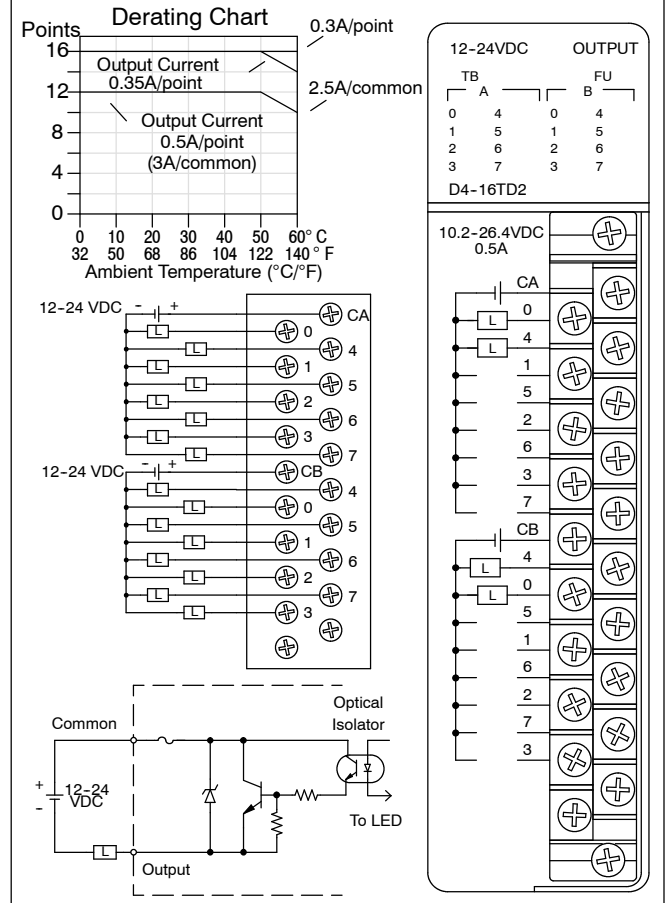
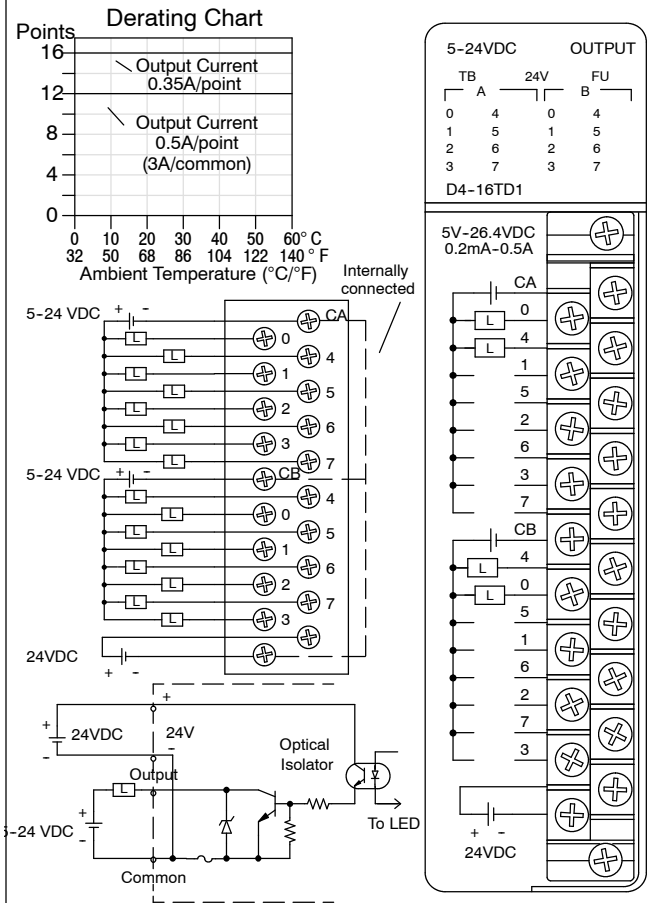
D4-16TD1 5-24 VDC Output

Outputs per module	16 (current sinking)
Commons per module	2 internally connected
Operating voltage / peak	4.5-26.4VDC, 40 VDC Peak
Output type	NPN Open collector
ON voltage drop	0.5V @ 0.5A, 0.2V @ 0.1A
Max current (resistive)	0.5A / point, 3A / common
Max leakage current	0.1mA @ 40VDC
Max inrush current	2A for 10 ms, 1A for 100 ms
Minimum load	0.2mA
Base power required 5V	200mA max
External DC required	24VDC 10% @125mA
OFF to ON response	0.5 ms
ON to OFF response	0.5 ms
Terminal type	Removable
Status indicators	Logic Side
Weight	9.5 oz. (270 g)
Fuses (non-replaceable)	1 (5A) per common

D4-16TD2, 12-24 VDC Output

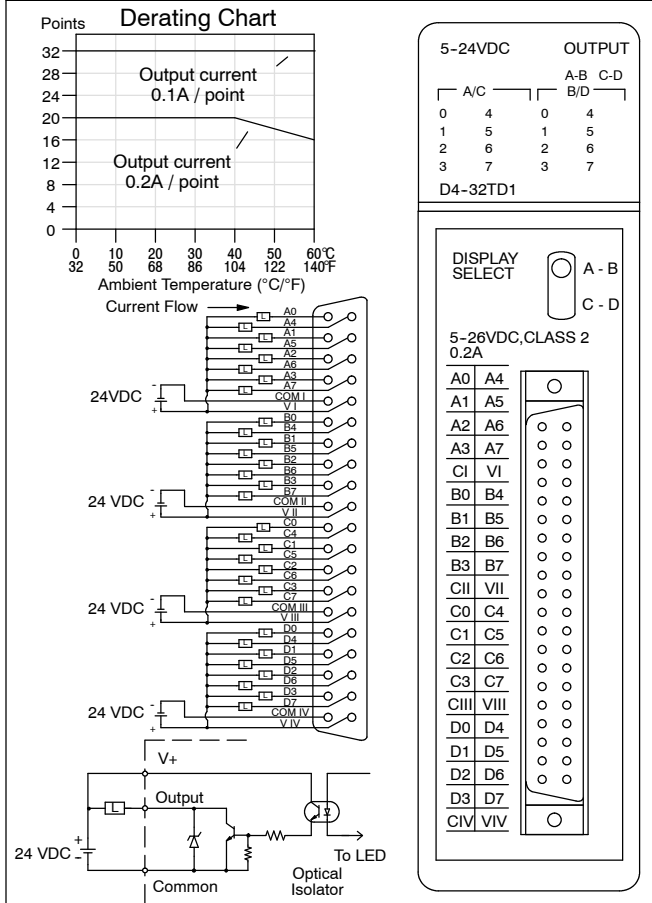
Outputs per module	16 (current sourcing)
Commons per module	2 (isolated)
Operating voltage / peak	10.2-26.4 VDC, 40 VDC Peak
Output type	NPN Emitter Follower
ON voltage drop	1.5 VDC @ 0.5A
Max current (resistive)	0.5A / point, 3A / common @ 50° C, 2.5A /common @ 60° C
Max leakage current	0.1mA @ 40 VDC
Max inrush current	2A for 10 ms, 1A for 100 ms
Minimum load	0.2mA
Base power required 5V	400mA max
External DC required	None
OFF to ON response	1 ms
ON to OFF response	1 ms
Terminal type	Removable
Status indicators	Logic Side
Weight	9.8 oz. (280 g)
Fuses (non-replaceable)	1 (5A) per common

Specifications



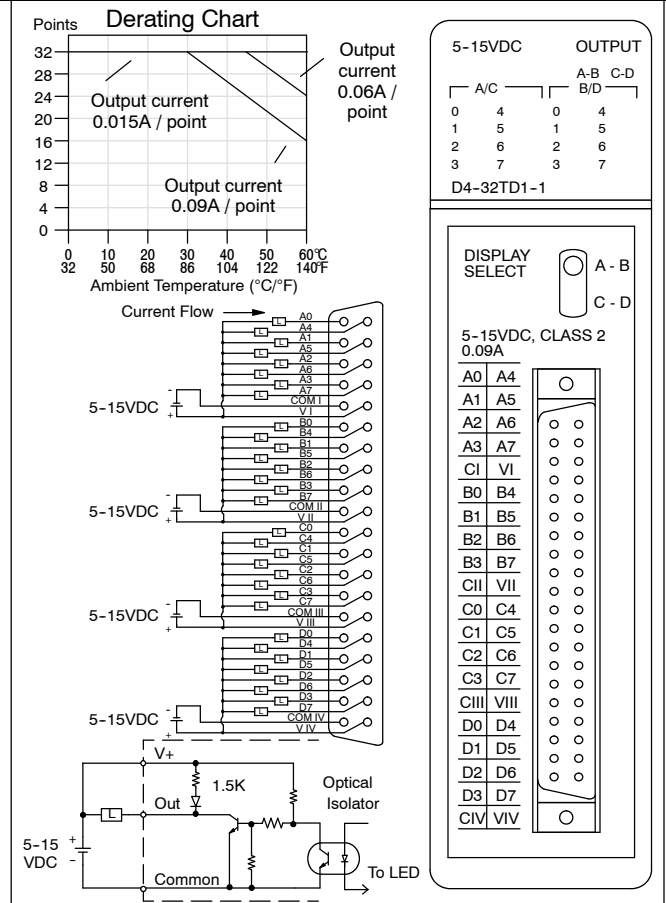
D4-32TD1, 5-24VDC Output

Outputs per module	32 (current sinking)
Commons per module	4 (isolated)
Operating voltage	4.75-26.4 VDC
Output type	NPN Open Collector
Peak voltage	36 VDC
ON voltage drop	0.6 VDC @ 0.2A
Max current (resistive)	0.2A / point, 1.6A / common
Max leakage current	0.1mA @ 36 VDC
Max inrush current	1A for 10 ms, 0.5A for 100 ms
Minimum load	0.1mA
Base power required 5V	250mA max
External DC required	24VDC 10%, 140mA max
OFF to ON response	0.1 ms
ON to OFF response	0.1 ms
Terminal type	Removable
Status indicators	Logic Side
Weight	6.7 oz. (190 g)
Fuses	None



D4-32TD1-1, 5-15VDC Output

Outputs per module	32 (current sinking)
Commons per module	4 (isolated)
Operating voltage	5-15 VDC
Output type	NPN Open Collector (w / pullup)
Peak voltage	16.5 VDC
ON voltage drop	0.4 VDC @ 0.1A
Max current (resistive)	0.09A/pt, 0.72A/com, 2.88A/ mod.
Max leakage current	0.01mA @ 16.5 VDC
Max inrush current	0.5A for 10ms, 0.2A for 100ms
Minimum load	0.1mA
Base power req., 5V	250mA max
External DC required	5-15VDC 10%, 700mA max
OFF to ON response	0.1 ms
ON to OFF response	0.1 ms
Terminal type	Removable
Status indicators	Logic Side
Weight	6.7 oz. (190 g)
Fuses	None



D4-32TD2, 12-24 VDC Output Module

Outputs per module	32 (current sourcing)	External DC required	10.8-26.4VDC 1A / common including load
Commons per module	4 (isolated)	OFF to ON response	< 0.2 ms
Operating voltage	10.8-26.4 VDC	ON to OFF response	< 0.2 ms
Output type	PNP Open Collector	Terminal type	Removable
Peak voltage	30 VDC	Status indicators	Logic Side
ON voltage drop	0.6 VDC @ 0.2A	Weight	6.7 oz. (190 g)
Max current (resistive)	0.2A / point 1.0A / common 4.0A / module	Fuses	None
Max leakage current	0.01mA @ 26.4 VDC		
Max inrush current	500 mA for 10 ms		
Minimum load	0.2mA		
Base power required 5V	350mA max		

Specifications

12-24VDC		OUTPUT	
A/C	B/D	A-B	C-D
0	4	0	4
1	5	1	5
2	6	2	6
3	7	3	7

D4-32TD2

DISPLAY SELECT A - B
 C - D

11-26VDC, CLASS2
0.2A

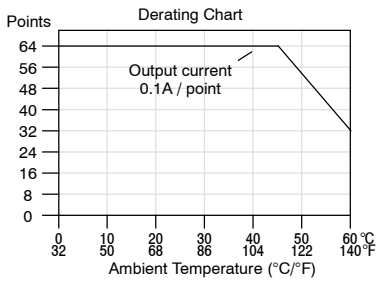
A0	A4	○
A1	A5	○
A2	A6	○
A3	A7	○
C1	V1	○
B0	B4	○
B1	B5	○
B2	B6	○
B3	B7	○
C11	V11	○
C0	C4	○
C1	C5	○
C2	C6	○
C3	C7	○
C111	V111	○
D0	D4	○
D1	D5	○
D2	D6	○
D3	D7	○
C1111	V1111	○

Derating Chart for D4-32TD2

Only 16 status points can be displayed at one time on the front of the module.
 In the A - B position the status of the first group of 16 output points (A0-A7, B0-B7) is displayed.
 In the C - D position the status of the second group of 16 output points (C0-C7, D0-D7) is displayed.

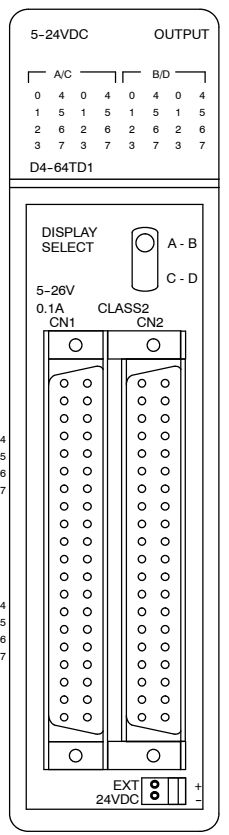
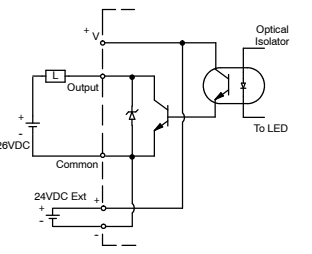
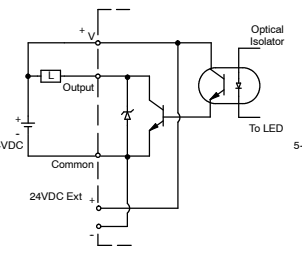
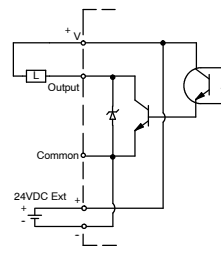
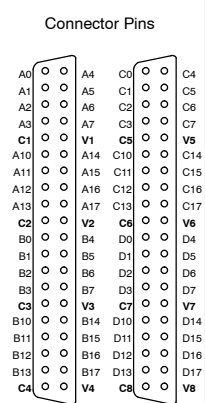
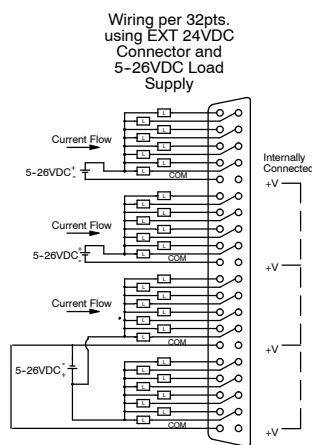
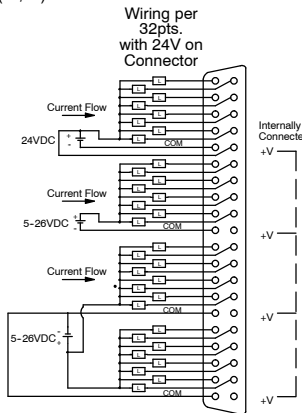
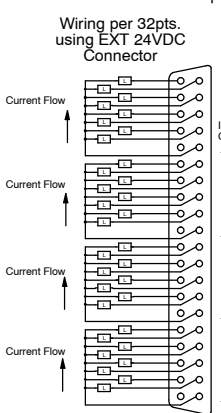
D4-64TD1, TTL/CMOS/5-24 VDC Output Module

Module Location	CPU base only *	Minimum load	0.1mA
Outputs per module	64 (current sinking)	Base power required 5V	800mA max
Commons per module	8 (isolated)		
Operating voltage	4.75-26.5 VDC	External DC required	24VDC 10%, (800mA + 50mA per common) 7.0A total max
Output type	NPN Open Collector	OFF to ON response	< 0.1 ms
Peak voltage	36 VDC	ON to OFF response	< 0.2 ms
ON voltage drop	0.6 VDC @ 0.1A	Terminal type	2, Removable 40-pin connectors (sold sep.)
Max current (resistive)	0.1A / point 1.0A / common 8.0A / module	Status indicators	Logic Side
Max leakage current	0.01mA @ 36 VDC	Weight	7.4 oz. (210 g)
Max inrush current	1A for 1 ms 700mA for 100 ms	Fuses	None



Only 32 status points can be displayed at one time on the front of the module. In the A - B position the status of the first group of 32 output points (A0-A17, B0-B17) are displayed (connector 1). In the C - D position the status of the second group of 32 output points (C0-C17, D0-D17) are displayed (connector 2).

* Module location - this module placement is restricted to the local base on DL430/DL440 systems. It may also be placed in expansion bases in DL450 systems that are using the new (-1) bases.



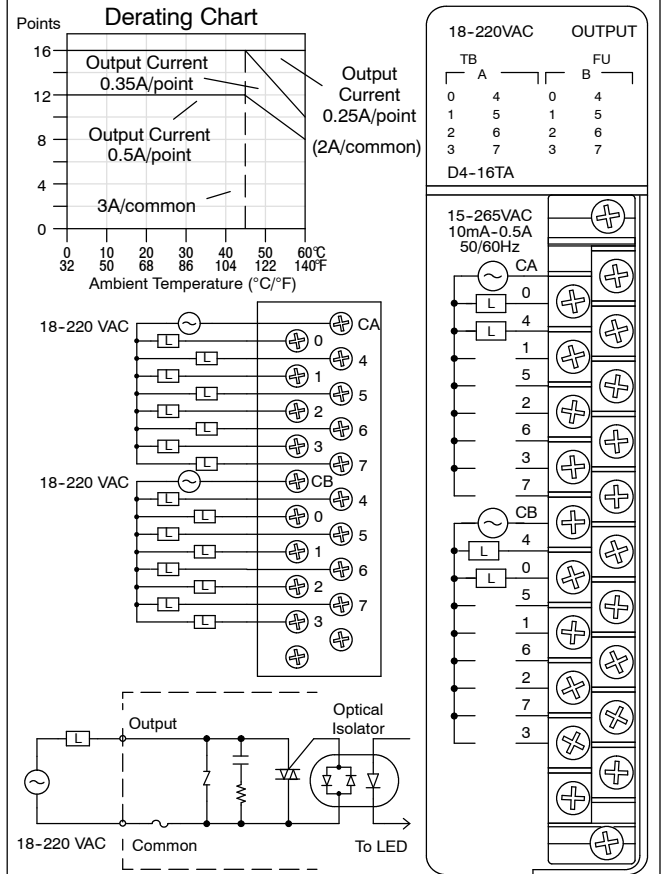
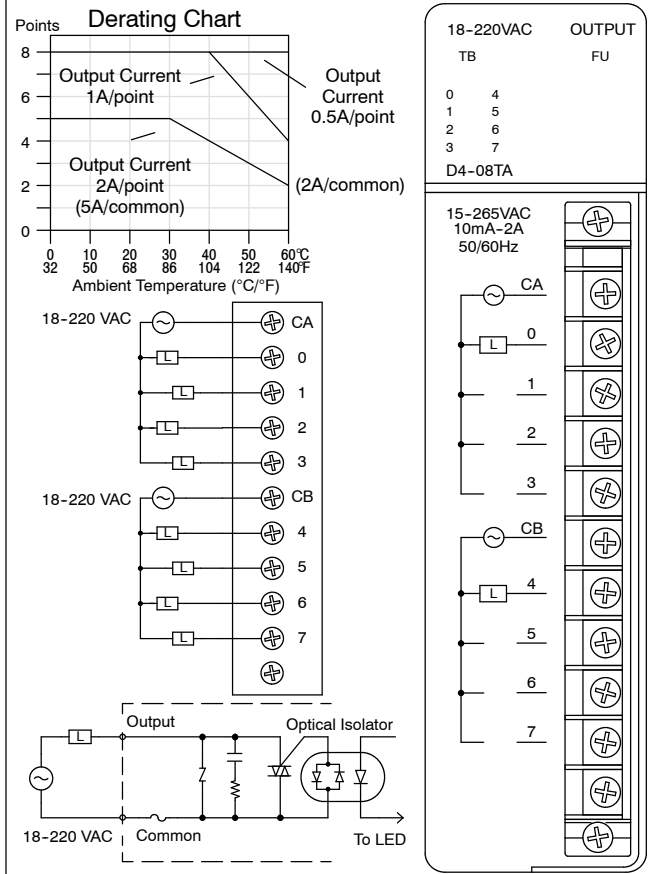
I/O Wiring and Specifications

D4-08TA, 18-220VAC Output D4-16TA, 18-220VAC Output

Outputs per module	8
Commons per module	2 (isolated)
Operating voltage	15-265VAC
Output type	SSR (triac)
Peak voltage	265VAC
AC frequency	47-63 Hz
ON voltage drop	1.5VAC @ 2A
Max current	2A / point, 5A / com. @ 30°C 2A / common @ 60 °C
Max leakage current	5mA @ 265VAC
Max inrush current	30A for 10 ms, 10A for 100 ms
Minimum load	10 mA
Base power required 5V	250 mA max
OFF to ON response	1 ms
ON to OFF response	1 ms +1/2 AC cycle
Terminal type	Removable
Status indicators	Logic Side
Weight	11.6 oz. (330 g)
Fuses (non-replaceable)	1 (8A) per common

Outputs per module	16
Commons per module	2 (isolated)
Operating voltage	15-265VAC
Output type	SSR (triac)
Peak voltage	265VAC
AC frequency	47-63 Hz
ON voltage drop	1.5 VAC @ 0.5A
Max current	0.5A / pt, 3A / common @ 45 °C 2A / common @ 60 °C
Max leakage current	4mA @ 265VAC
Max inrush current	15A for 10 ms, 10A for 100 ms
Minimum load	10 mA
Base power required 5V	450 mA max
OFF to ON response	1 ms
ON to OFF response	1 ms +1/2 AC cycle
Terminal type	Removable
Status indicators	Logic Side
Weight	12.2 oz. (350 g)
Fuses (non-replaceable)	1 (5A) per common

Specifications



D4-08TR, Relay Output

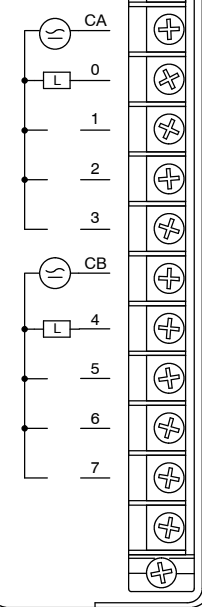
Outputs per module	8 relays
Commons per module	2 (isolated)
Operating voltage	5-30VDC / 5-250VAC
Output type	Form A (SPST-NO)
Peak voltage	30VDC / 256VAC
AC frequency	47-63 Hz
Max current (resistive)	2A / point, 5A / common
Max leakage current	0.1mA @ 265VAC
Max inrush current	2A
Minimum load	5mA
Base power required 5V	550mA max
External DC required	None
OFF to ON response	12 ms
ON to OFF response	12 ms
Terminal type	Removable
Status indicators	Logic Side
Weight	9.1 oz. (260 g)
Fuses (non-replaceable)	1 (8A) per common

Typical Relay Life (Operations)

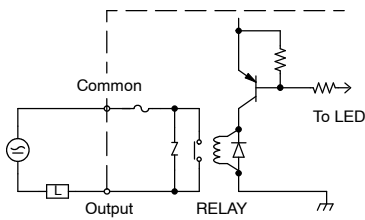
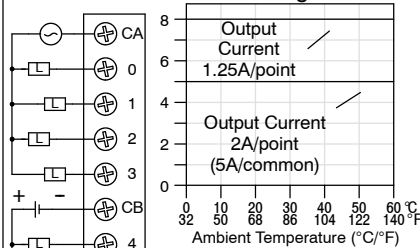
Maximum Resistive or Inductive Inrush Load Current	Operating Voltage		
	30VDC	125VAC	250VAC
2A resistive	100K	300K	200K
2A inductive	100K	80K	60K
0.5A resistive	800K	1M	800K
0.5A inductive	300K	300K	200K

RELAY	OUTPUT
TB	FU
0	4
1	5
2	6
3	7

5-250VAC
2A 50/60Hz
5-30VDC
5mA-2A



Derating Chart



F4-08TRS-1, Relay Output

Outputs per module	8 relays
Commons per module	8 (isolated)
Operating voltage	12-30VDC, 12-125VAC, 125-250VAC*
Output type	4, Form C (SPDT), 4, Form A (SPST-NO)
Peak voltage	30VDC / 250VAC @10A
AC frequency	47-63 Hz
Max current (resistive)	10A / point, 40A / module
Max leakage current	0.1mA @ 265VAC
Max inrush current	10A
Minimum load	100mA @12 VDC
Base power required 5V	575mA max
External DC required	None
OFF to ON response	7 ms
ON to OFF response	9 ms
Terminal type	Removable
Status indicators	Logic Side
Weight	13.2 oz. (374 g)
Fuses (non-replaceable)	1 (10A/125V) per common

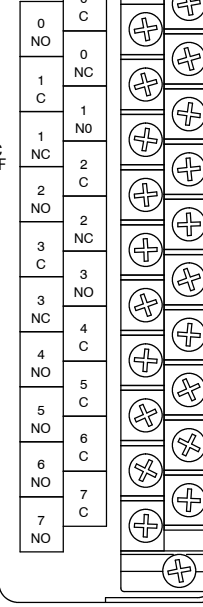
Typical Relay Life (Operations)

Maximum Resistive or Inductive Inrush Load Current	Operating Voltage		
	30VDC	125VAC	250VAC
1/4 HP	50K	25K	
10.0A	200K	50K	
5.0A	325K	100K	50K
3.0A		125K	
0.5A	>50M		

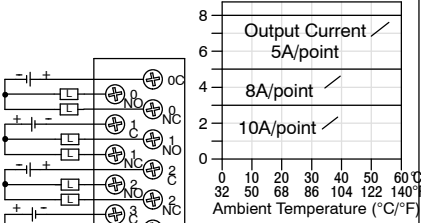
RELAY	OUTPUT
TB	FU
0	4
1	5
2	6
3	7

F4-08TRS-1

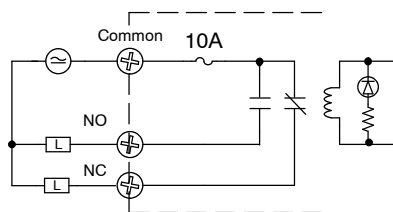
12-250VAC
10A 50/60Hz
12-30VDC
10mA-10A



Derating Chart



Maximum DC voltage rating is 120 VDC @ 0.5A, 30,000 cycles typical. Motor starters up to and including NEMA size 3 can be used with this module.



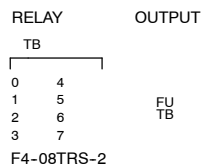
I/O Wiring and Specifications

F4-08TRS-2, Relay Output

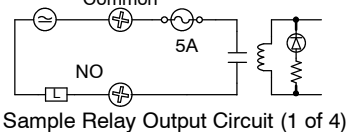
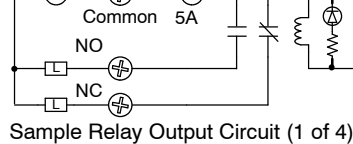
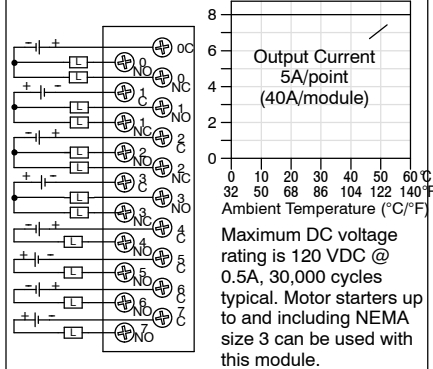
Outputs per module	8 relays
Commons per module	8 (isolated)
Operating voltage	12-30VDC, 12-250VAC
Output type: 4 Form C (SPDT), 4 Form A (SPST-NO)	
Peak voltage	30VDC / 250VAC @5A
AC frequency	47-63 Hz
Max current (resistive)	5A / point, 40A / module
Max inrush current	10A
Minimum load	100mA @12 VDC
Base power required 5V	575mA max
External DC required	None
OFF to ON response	7 ms
ON to OFF response	9 ms
Terminal type	Removable
Status indicators	Logic Side
Weight	13.8 oz. (390 g)
Fuses, (user replaceable)	1 (10A, 250V) per common 19379-K-10A Wickman

Typical Relay Life (Operations)

Maximum Resistive or Inductive Inrush Load Current	Operating Voltage		
	28VDC	120VAC	240VAC
5.0A	200K	100K	
3.0A	325K	125K	50K
.05A	>50M		



Derating Chart

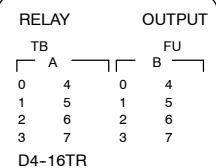


D4-16TR, Relay Output

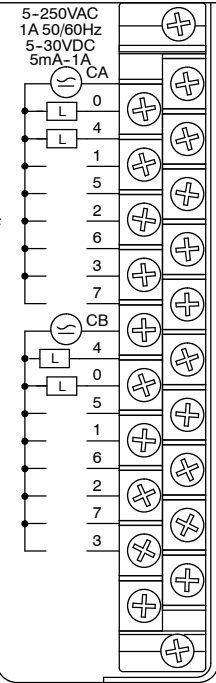
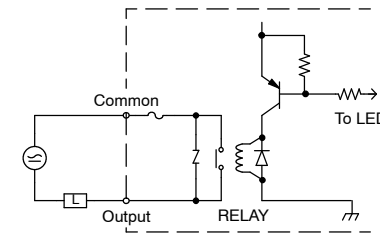
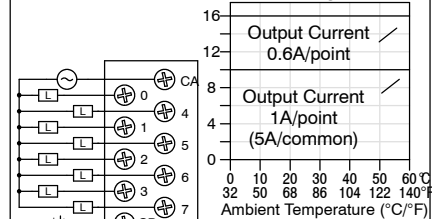
Outputs per module	16 relays
Commons per module	2 (isolated)
Operating voltage	5-30VDC / 5-250VAC
Output type	Form A (SPST-NO)
Peak voltage	30VDC / 256VAC
AC frequency	47-63 Hz
Max current (resistive)	1A / point, 5A / common
Max leakage current	0.1mA @ 265VAC
Max inrush current	4A
Minimum load	5mA
Base power required 5V	1000mA max
External DC required	None
OFF to ON response	10 ms
ON to OFF response	10 ms
Terminal type	Removable
Status indicators	Logic Side
Weight	10.9 oz. (310 g)
Fuses (non-replaceable)	1 (8A) per common

Typical Relay Life (Operations)

Maximum Resistive or Inductive Inrush Load Current	Operating Voltage		
	30VDC	125VAC	250VAC
1A resistive	>1M	500K	300K
1A inductive	400K	200K	100K
0.5A resistive	>2M	800K	500K
0.5A inductive	>1M	300K	200K



Derating Chart



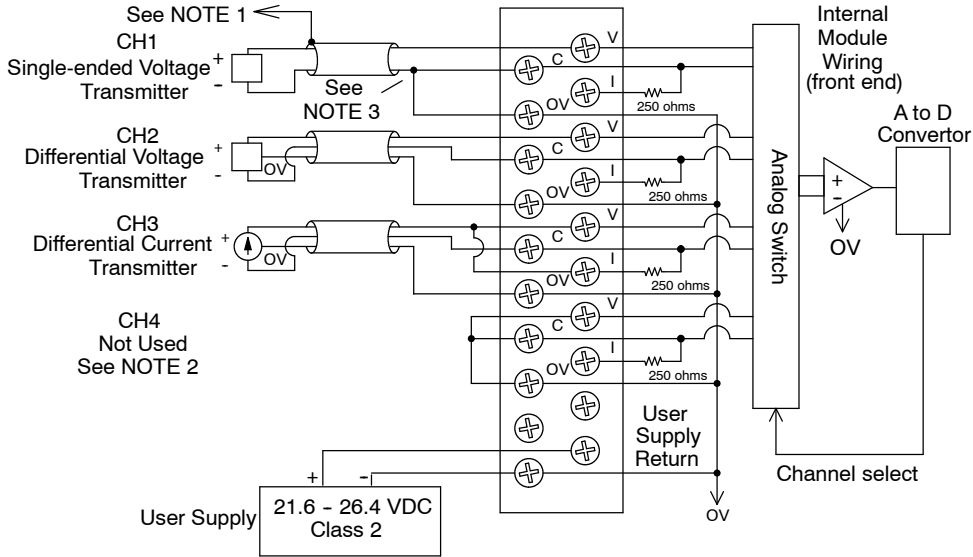
F4-04AD 4-Channel Analog Input

Number of Channels	4
Input Type	Single-ended or differential
Input Ranges	0-5, 1-5, 0-10, 5, 10 VDC, 0-20, 4-20 mA.
Resolution	12 bit (0 to 4095), unipolar 13 bit (4095), bipolar
Input Impedance	20 M Ω minimum, voltage input 250 Ω , 1/2W, 0.1%, 25 ppm/ $^{\circ}$ C current input
Max. Continuous Overload	50 VDC, voltage input, 45 mA, current input
Recommended External Fuse	0.032A, Series 217 fast acting, current inputs
Common Mode Voltage Range	10V maximum
Linearity	0.025% of span (1 count maximum, unipolar)
Input Stability	1/2 count
Cross Talk	-80 dB, 1/2 count maximum
Full Scale Calibration Error	12 counts maximum, voltage input 16 counts maximum, at 20.000 mA current input
Offset Calibration Error	1 count maximum, voltage input 2 counts maximum, at 4.000 mA current input
Maximum Inaccuracy	0.4% maximum @ 25 $^{\circ}$ C (77 $^{\circ}$ F) 0.55% maximum @ 0 to 60 $^{\circ}$ C (32 to 140 $^{\circ}$ F)
Conversion Time	< 6 mS per selected channel
Noise Rejection Ratio	Normal mode: -3 dB @ 50 Hz, -6 dB / octave Common mode: -70 dB, DC to 12 kHz

PLC Update Rate	4 channel per scan max.
Digital Input Points Required 16 or 32-bit mode	16 or 32 (X) input points 12 data bits, 4 bits optional for two's complement mode, 4 channel select bits, 12 bits unused in 32 bit mode
Power Budget Requirement	85 mA (power from base)
External Power Supply	24 VDC, 10%, 100 mA, class 2
Operating Temperature	0 to 60 $^{\circ}$ C (32 $^{\circ}$ to 140 $^{\circ}$ F)
Storage Temperature	-20 to 70 $^{\circ}$ C (-4 $^{\circ}$ to 158 $^{\circ}$ F)
Relative Humidity	5 to 95% (non-condensing)
Environmental air	No corrosive gases permitted
Vibration	MIL STD 810C 514.2
Shock	MIL STD 810C 516.2
Insulation Resistance	10 M Ω , 500 VDC
Noise Immunity	NEMA ICS3-304

F4-04AD 4-Channel Analog Input Module

NOTE 1: Shields should be grounded at the signal source.
 NOTE 2: Unused channels should be shorted for best noise immunity.
 NOTE 3: When a differential input is not used, 0V should be connected to C of the channel.



Specifications

ANALOG		INPUT	
TB	24V	RUN	NEG
DATA			
1	16	256	CH1
2	32	512	CH2
4	64	1024	CH3
8	128	2048	CH4
F4-04AD			

DISPLAY	CH	
	V	
CH1	C	
	I	
	OV	
CH2	V	
	C	
	I	
	OV	
CH3	V	
	C	
	I	
	OV	
CH4	V	
	C	
	I	
	OV	
0-10VDC		
1-5VDC		
-10-+10VDC		
4mA-20mA		
24VDC 0.1A		
CLASS 2		
F4-04AD		

F4-04ADS 4-Channel Isolated Analog Input

Input Specifications

Number of Channels	4
Input Ranges	0-5V, 0-10V, 1-5V, 5V, 10V, 0-20 mA, 4-20 mA
Resolution	12 bit (1 in 4096)
Conversion Method	Successive approximation
Input Type	Differential
Max. Common Mode Voltage	750V peak continuous transformer isolation
Noise Rejection Ratio	Common mode: -100 dB at 60Hz
Active Low-Pass Filtering	-3 dB at 20Hz, -12 dB per octave
Input Impedance	250 Ω 0.1%, 1/2W current input 200K Ω voltage input
Absolute Maximum Ratings	45 mA, current input 100V, voltage input
Conversion Time	1 mS per selected channel
Linearity Error	1 count (0.025% of full scale) maximum
Full Scale Calibration Error	8 counts maximum ($V_{in} = 20$ mA)
Offset Calibration Error	8 counts maximum ($V_{in} = 4$ mA)

General Specifications

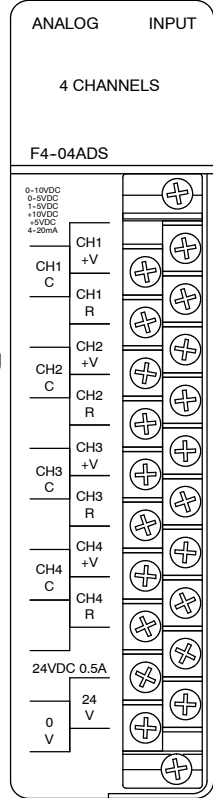
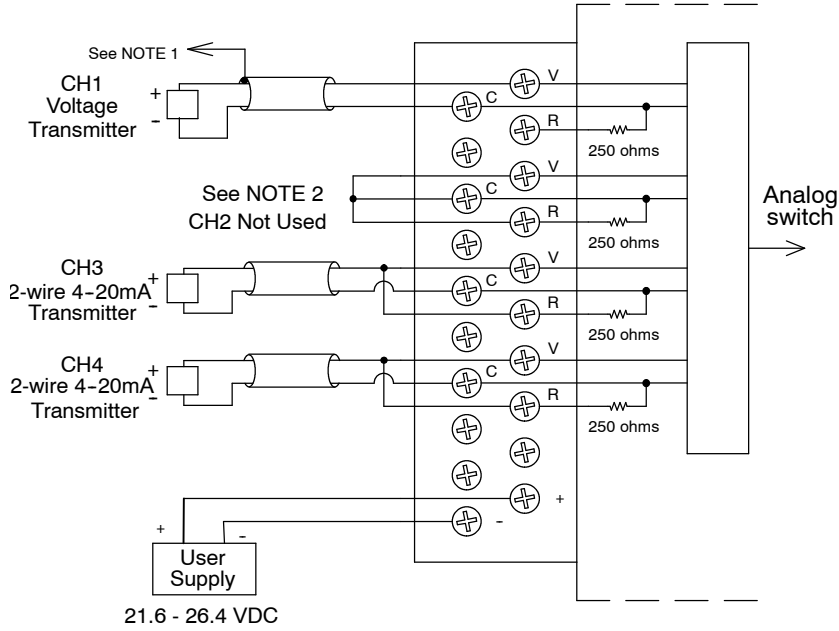
PLC Update Rate	4 channel per scan max.
Digital Input Points Required	12 binary data bits, 4 active channel indicator bits
Accuracy vs. Temperature	100 ppm / °C maximum full scale (including maximum offset)
Power Budget Requirement	270 mA @ 5 VDC (from base)
External Power Supply	24 VDC, 10%, 120 mA, class 2
Recommended Fuse	0.032 A, Series 217 fast-acting, current inputs
Operating Temperature	0 to 60°C (32 to 140°F)
Storage Temperature	-20 to 70°C (-4 to 158° F)
Relative Humidity	5 to 95% (non-condensing)
Environmental air	No corrosive gases permitted
Vibration	MIL STD 810C 514.2
Shock	MIL STD 810C 516.2
Noise Immunity	NEMA ICS3-304

F4-04ADS 4-Channel Isolated Analog Input Module

Wiring Diagram

NOTE 1: Shields should be grounded at the signal source.

NOTE 2: Unused channels should have V & C & R of the channels jumpered together.



F4-08AD 8-Channel Analog Input

Input Specifications

Number of Channels	8, single ended (one common)
Input Ranges	0-5V, 0-10V, 1-5V, 5V, 10V, 0-20 mA, 4-20 mA
Resolution	12 bit (1 in 4096)
Active Low-pass Filtering	-3 dB at 20Hz, -12 dB per octave
Input Impedance	250 ohms 0.1%, 1/2W current input >20 Megohms voltage input, 1 Megohm minimum
Absolute Maximum Ratings	45 mA, current input 75V, voltage input
Conversion Time	0.4ms per channel (module conversion) 1 ms per selected channel minimum (CPU)
Linearity Error (End to End)	1 count (0.025% of full scale) maximum
Input Stability	1/2 count
Full Scale Calibration Error (Offset error not included)	12 counts maximum, voltage input 12 counts maximum, @ 20mA current input
Offset Calibration Error	2 counts maximum, unipolar voltage input 4 counts maximum, bipolar voltage input 4 counts maximum, 4 mA current input

General Specifications

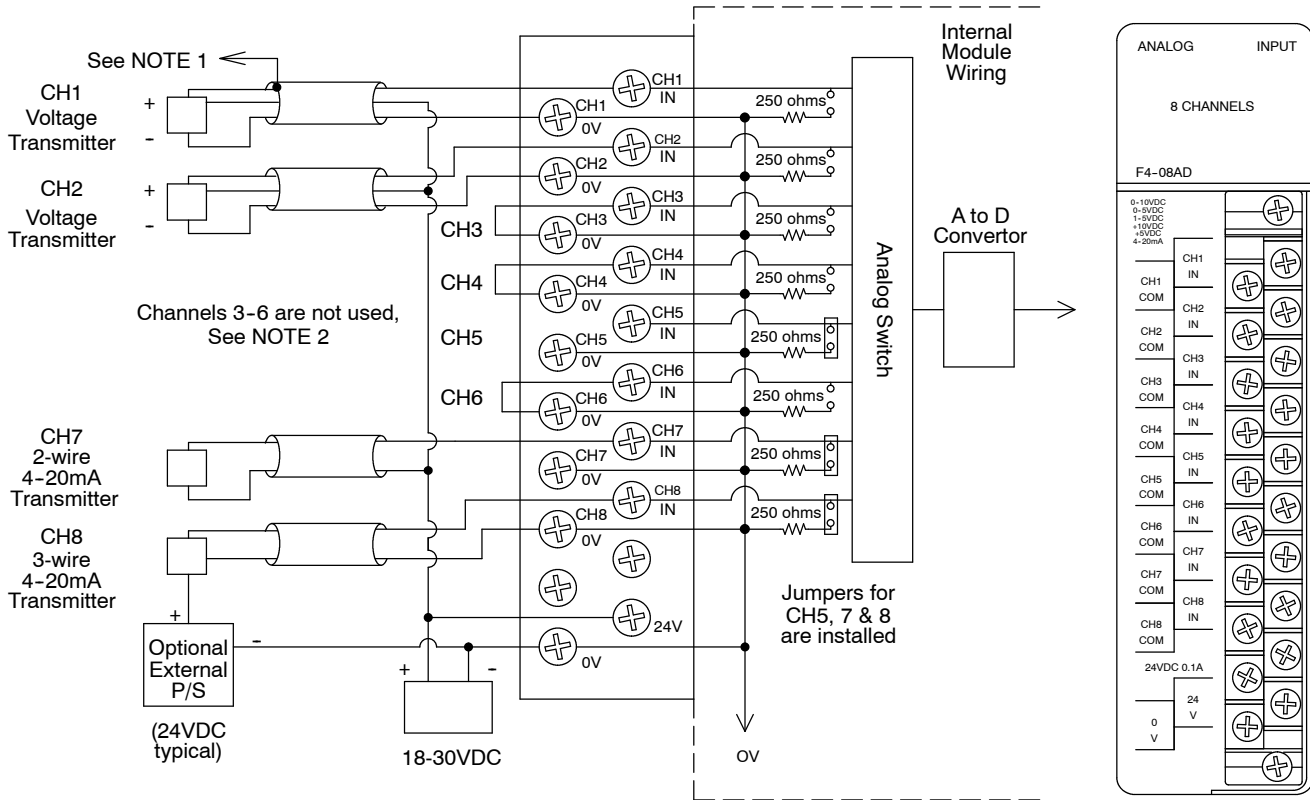
PLC Update Rate	8 Channel per scan max.
Digital Input Points Required	16 (X) input points total 12 binary data bits, 3 active channel bits,
Power Budget Requirement	75 mA (power from base)
External Power Supply	18-30 VDC, 90 mA, class 2
Recommended Fuse	0.032 A, Series 217 fast-acting, current inputs
Accuracy vs. Temperature	50 ppm / °C maximum full scale (including maximum offset change of 2 counts)
Operating Temperature	0 to 60°C (32 to 140° F)
Storage Temperature	-20 to 70°C (-4° F to 158° F)
Relative Humidity	5 to 95% (non-condensing)
Environmental Air	No corrosive gases permitted
Vibration	MIL STD 810C 514.2
Shock	MIL STD 810C 516.2
Noise Immunity	NEMA ICS3-304

One count in the specification table is equal to one least significant bit of the analog data (1 in 4096).

F4-08AD 8-Channel Analog Input Module

NOTE 1: Shields should be grounded at the signal source.

NOTE 2: Unused channels should be connected to 0V or have current jumpers installed.



Specifications

More than one external power supply can be used (see channel 8).

If the power supply common of an external power supply is not connected to 0V on the module, then the output of the external transmitter must be isolated. To avoid "ground loop" errors, recommended 4-20mA transmitter types are:

- 2 or 3 wire: Isolation between input signal and power supply.
- 4 wire: Isolation between input signal, power supply, and 4-20mA output.

D4-02DA 2-Channel Analog Output

Output Specifications

Number of Channels	2 (independent)
Output Ranges	0–10V, 1–5V, 4–20 mA
Resolution	12 bit (1 in 4096)
Output Type	Single ended
Output Impedance	0.5Ω maximum, voltage output
Output Current	5 mA maximum, voltage output
Load Impedance	550Ω max., 5.0Ω min., current output, 2KΩ minimum, voltage output
Linearity	0.1% maximum
Accuracy vs. Temperature	70 ppm / °C maximum
Maximum Inaccuracy	0.2% maximum at 25° C
Conversion Method	Integration
Conversion Time	Start of scan, 30μS + one scan

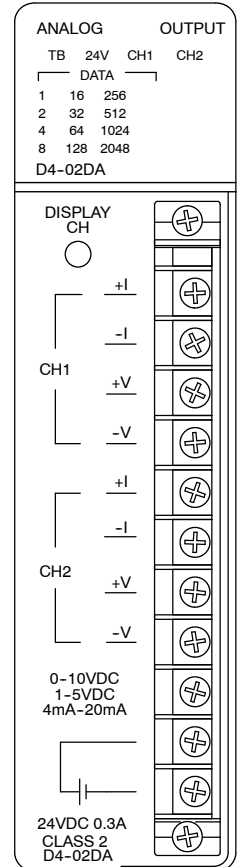
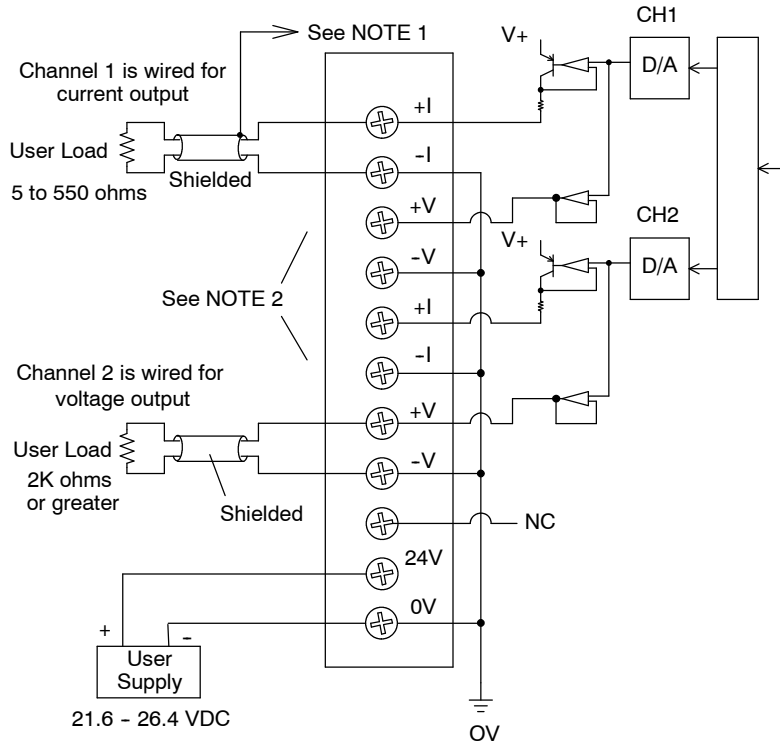
General Module Specifications

PLC Update Rate	1 or 2 channels per scan
Digital Output Points Required	32 (Y) output points 12 binary data bits per channel (24 bits total with 8 unused bits)
Power Budget Requirement	250 mA (from base)
External Power Supply	24VDC, 10%, 300 mA, class 2
Operating Temperature	0 to 60°C (32 to 140°F)
Storage Temperature	–20 to 70°C (–4 to 158°F)
Relative Humidity	5 to 95% (non-condensing)
Environmental air	No corrosive gases permitted
Vibration	MIL STD 810C 514.2
Shock	MIL STD 810C 516.2
Insulation Resistance	10 MΩ, 500 VDC
Noise Immunity	NEMA ICS3–304

D4-02DA 2-Channel Analog Output Module

NOTE 1: Shields should be connected to the 0V terminal of the module or power supply.

NOTE 2: Unused voltage and current outputs should remain open (no connections).



Specifications

F4-04DA 4-Channel Analog Output

Output Specifications

Number of Channels	4
Output Ranges	0–5V, 0–10V, 5V, 10V, 4–20 mA
Resolution	12 bit (1 in 4096)
Conversion Method	Successive Approximation
Output Type	Single ended, 1 common
Output Impedance	0.2Ω typical, voltage output
Load Impedance	2KΩ minimum, voltage output 0Ω minimum, current output
Maximum Load / Voltage	680Ω/18V, 1KΩ/24V, 1.5KΩ/36V, current output
Voltage Output Current	5 mA sink or source
Short-Circuit Current	15 mA typical, voltage output
Linearity Error	1 count (0.025%) maximum
Gain Calibration Error	8 counts maximum, voltage output –8 to +11 counts maximum, current output
Offset Calibration Error	2 counts maximum, voltage output –5 to +9 counts maximum, current output
Conversion Time	5 μs maximum, settling time 0.3 ms maximum, digital out to analog out

General Module Specifications

Digital Output Points Required	16 point (Y) outputs, 12 bits binary data, 4 channel select bits
Power Budget Requirement	120 mA @ 5 VDC (from base)
External Power Supply	24 VDC, 100 mA, class 2 10% (add 20 mA for each current loop used)
Accuracy vs. Temperature	50 ppm / °C maximum full scale 25 ppm / °C maximum offset
Operating Temperature	0 to 60°C (32 to 140°F)
Storage Temperature	–20 to 70°C (–4 to 158°F)
Relative Humidity	5 to 95% (non-condensing)
Environmental air	No corrosive gases permitted
Vibration	MIL STD 810C 514.2
Shock	MIL STD 810C 516.2
Noise Immunity	NEMA ICS3-304

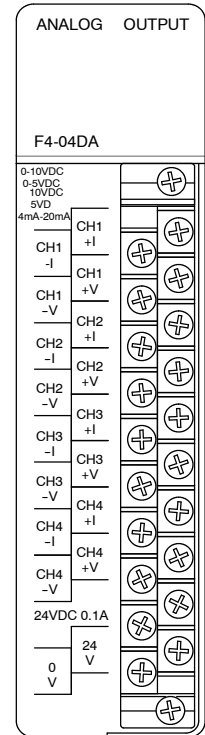
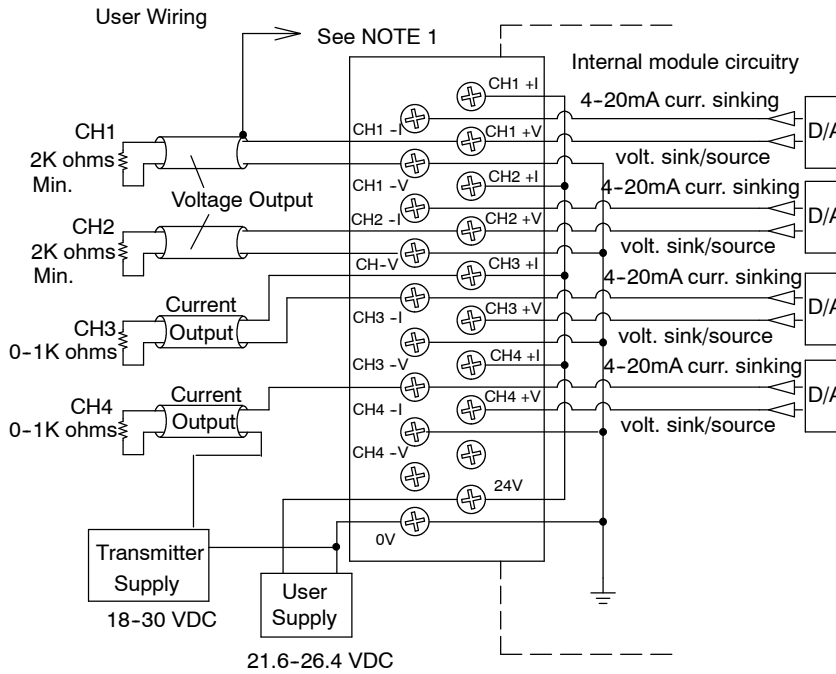
One count in the specification table is equal to one least significant bit of the analog data value (1 in 4096).

F4-04DA 4-Channel Analog Output Module

Wiring Diagram

NOTE 1: Shields should be connected to the 0V terminal of the module or power supply.

NOTE 2: Unused voltage and current outputs should remain open (no connections).



Wiring and Specifications

F4-04DA-1 4-Channel Analog Current Output

Output Specifications

Number of Channels	4, single ended (one common)
Output Range	4–20 mA
Resolution	12 bit (1 in 4095)
Output Type	Outputs sink 4-20 mA from external supply
External Load Resistance	0 Ω minimum
Maximum Loop Supply	30 VDC
Peak Output Voltage	40 VDC (clamped, transient suppressed)
Maximum Load / Power Supply	620 Ω /18V, 910 Ω /24V, 1200 Ω /30V
Linearity Error (best fit)	1 count (0.025%) maximum
Gain Calibration Error	5 counts maximum
Offset Calibration Error	3 counts maximum
Maximum Inaccuracy	0.1% @ 25°C (77°F) 0.3% @ 0 to 60°C (32 to 140°F)
Conversion Time	100 μ s maximum, settling time 2.0 ms maximum, digital out to analog out

General Module Specifications

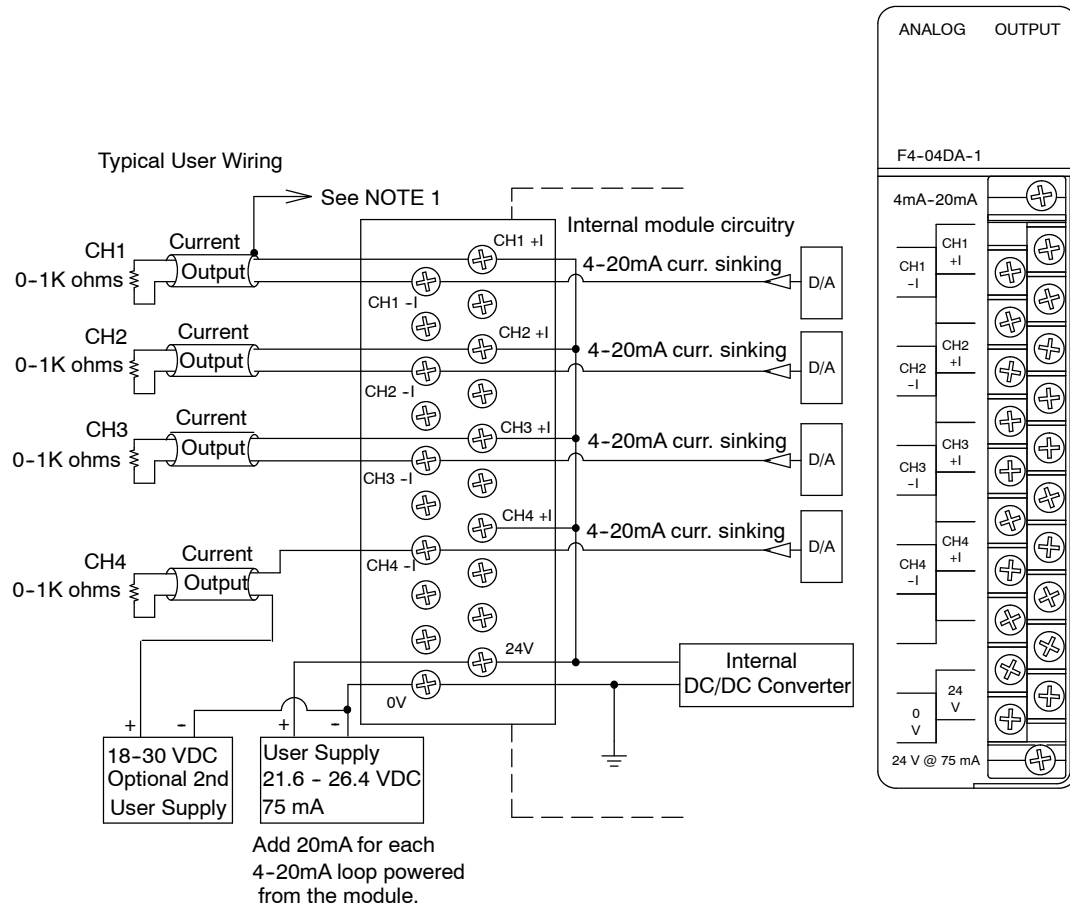
Digital Output Points Required	16 point (Y) outputs, 12 bits binary data and 4 active channel bits
Power Budget Requirement	70 mA @ 5 VDC (from base)
External Power Supply	21.6–26.4 VDC, 75 mA, class 2 (add 20 mA for each current loop used)
Accuracy vs. Temperature	57 ppm / °C full scale calibration range (including maximum offset change, 2 counts)
Operating Temperature	0 to 60°C (32 to 140°F)
Storage Temperature	-20 to 70°C (-4 to 158°F)
Relative Humidity	5 to 95% (non-condensing)
Environmental Air	No corrosive gases permitted
Vibration	MIL STD 810C 514.2
Shock	MIL STD 810C 516.2
Noise Immunity	NEMA ICS3-304

F4-04DA-1 4-Channel Analog Current Output Module

Wiring Diagram

NOTE 1: Shields should be connected to the 0V terminal of the module terminal block.

NOTE 2: Unused current outputs should remain open (no connections).



F4-04DA-2 4-Channel Analog Voltage Output

Output Specifications

Number of Channels	4, single ended (one common)
Output Ranges	0-5, 0-10, 5, 10 VDC
Resolution	12 bit (1 in 4095)
Load Impedance	2K Ω minimum
Load Capacitance	0.01 uF maximum
Voltage Output Current	5.0 mA sink or source
Short-circuit Current	15 mA typical
Linearity Error (end to end) and Relative Accuracy	1 count (0.025%) maximum
Offset Calibration Error	3 counts maximum, unipolar 4 counts maximum, bipolar
Full Scale Calibration Error	8 counts maximum, (offset error included)
Maximum Inaccuracy	0.2% @ 25°C (77°F) 0.4% @ 0 to 60° C (32 to 140°F)
Conversion Time	5 μ s maximum, settling time 2.0 ms maximum, digital out to analog out

General Module Specifications

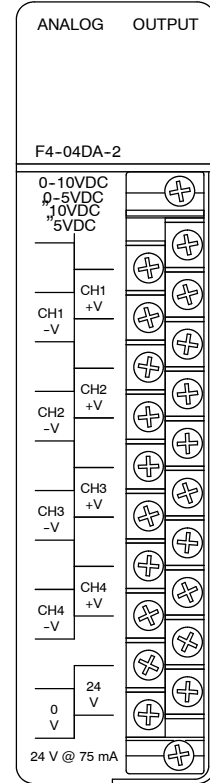
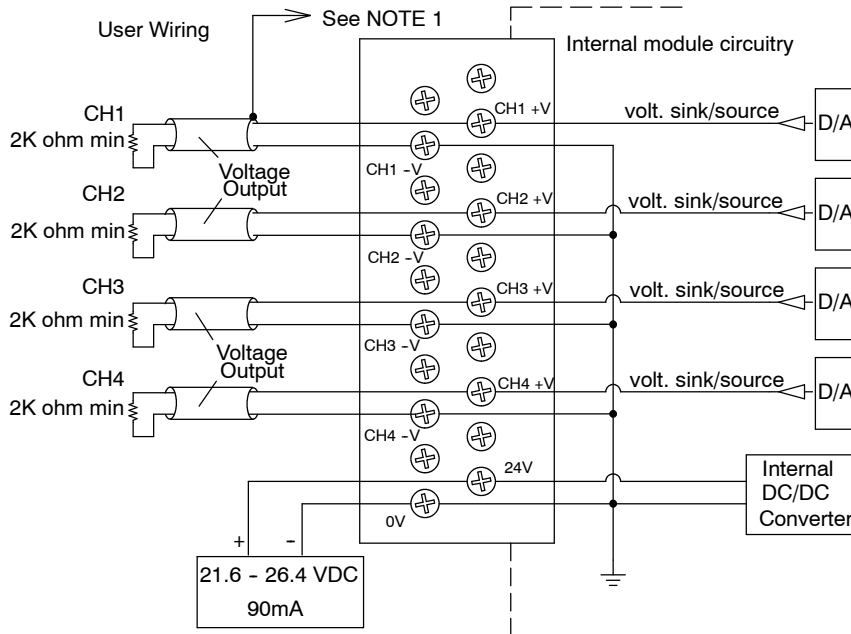
Digital Output Points Required	16 point (Y) outputs, 12 bits binary data, 4 active channel bits or 2 active channel bits and 1 sign bit for bipolar
Power Budget Requirement	90 mA @ 5 VDC (from base)
External Power Supply	21.6-26.4 VDC, 90 mA, class 2 (outputs fully loaded)
Accuracy vs. Temperature	57 ppm / °C full scale calibration change (including maximum offset change, 2 counts)
Operating Temperature	0 to 60°C (32 to 140°F)
Storage Temperature	-20 to 70°C (-4 to 158°F)
Relative Humidity	5 to 95% (non-condensing)
Environmental air	No corrosive gases permitted
Vibration	MIL STD 810C 514.2
Shock	MIL STD 810C 516.2
Noise Immunity	NEMA ICS3-304

F4-04DA-2 4-Channel Analog Voltage Output Module

Wiring Diagram

NOTE 1: Shields should be connected to the 0V terminal of the module or power supply.

NOTE 2: Unused voltage outputs should remain open (no connections).



F4-04DAS-1 4-Channel 4-20mA Isolated Analog Output

Output Specifications

Number of Channels	4, isolated current sourcing
Output Ranges	4-20mA current
Resolution	16 bit (1 in 65536)
Output Type	Outputs source 4-20 mA from external supply
Isolation Voltage	750V continuous, channel to channel, channel to logic
Load Impedance	0 Ω - 1375 Ω
Loop Supply	12-32VDC
Output Loop Compliance	Vin-2.5V
Max. Load/Power Supply	375 Ω /12V, 975 Ω /24V, 1375 Ω /32V
PLC Update Rate	1 channel per scan min., 4 per scan max.
Linearity Error (end to end) and Relative Accuracy	10 count (0.015%) maximum
Offset Calibration Error	13 counts (0.02%)
Gain Calibration Error	32 counts maximum, (offset error included)
Maximum Inaccuracy	0.07% @ 25°C (77°F) 0.18% @ 0 to 60° C (32 to 140°F)
Conversion Time	3ms to 0.1% of full scale

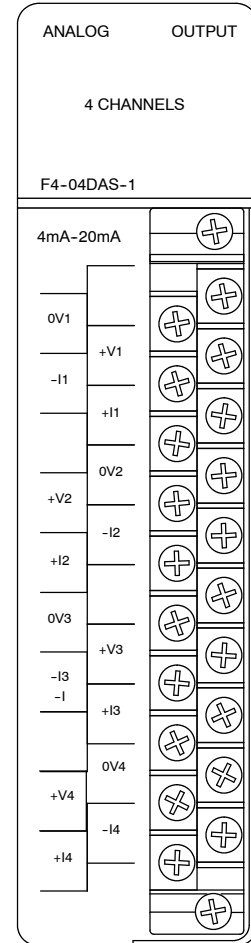
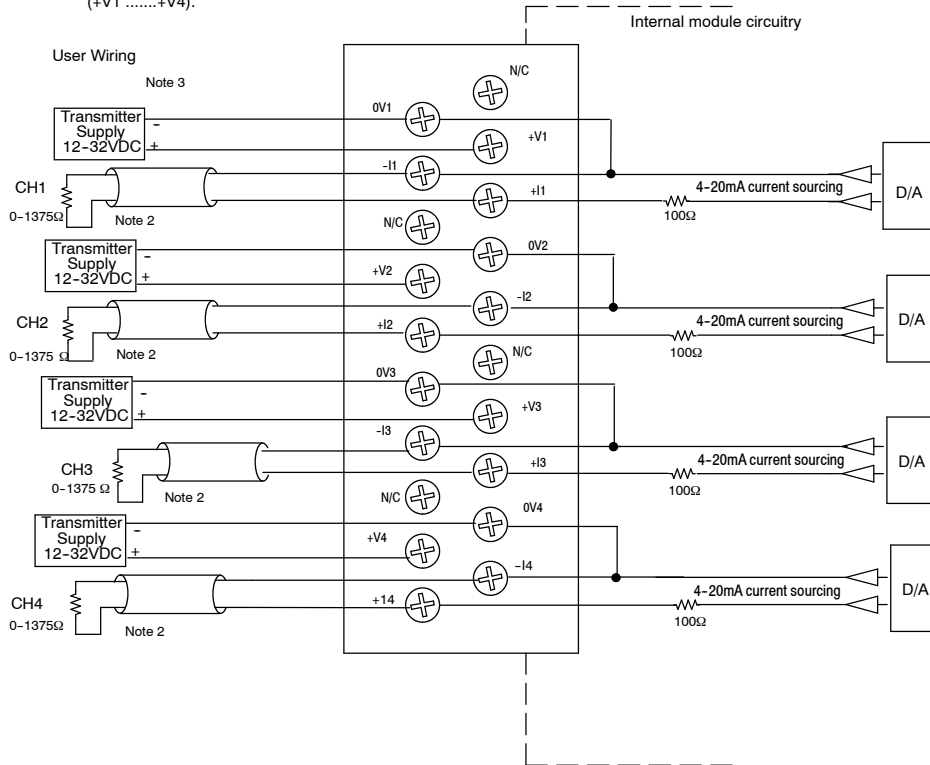
General Module Specifications

Digital Output Points Required	32 point (Y) outputs, 16 bits binary data, 2 channel identification bits and 1 output enable
Power Budget Requirement	60 mA @ 5 VDC (from base)
External Power Supply	50 mA per channel
Accuracy vs. Temperature	50 ppm / °C full scale calibration change (including maximum offset change, 2 counts)
Operating Temperature	0 to 60°C (32 to 140°F)
Storage Temperature	-20 to 70°C (-4 to 158°F)
Relative Humidity	5 to 95% (non-condensing)
Environmental air	No corrosive gases permitted
Vibration	MIL STD 810C 514.2
Shock	MIL STD 810C 516.2
Noise Immunity	NEMA ICS3-304

F4-04DAS-1 4-Channel 4-20mA Isolated Analog Output Module

Wiring Diagram

- NOTE 1: Shields should be connected to the 0V.
- NOTE 2: Load must be within compliance voltage.
- NOTE 3: For non-isolated outputs, connect all 0V's together (0V10V4) and connect all +V's together (+V1+V4).



F4-08DA-1 8-Channel Analog Current Output

Output Specifications

Number of Channels	8, single ended (one common)
Output Range	4–20 mA current
Resolution	12 bit (1 in 4095)
Output Type	Outputs sink 4–20 mA from external supply
Peak Output Voltage	40 VDC (no transient voltage suppression)
External Load Resistance	0–480 Ω at 18V, 220–740 Ω at 24V, 1550–1760 Ω at 48V
Maximum Loop Supply	48 VDC (with load resistance in proper range)
Crosstalk	–70 dB, 1 count maximum
Linearity Error (end-to-end) and Relative Accuracy	1 count maximum
Full Scale Calibration Error (offset error included)	8 counts maximum (20mA at 25°C)
Offset Calibration Error	3 counts maximum (4mA at 25°C)
Maximum Inaccuracy	0.2% at 25°C (77°F) 0.4% at 0 to 60°C (32 to 140°F)
Conversion Time	400 μ s maximum, for full scale change 2.25 to 4.5 mS for digital output to analog out

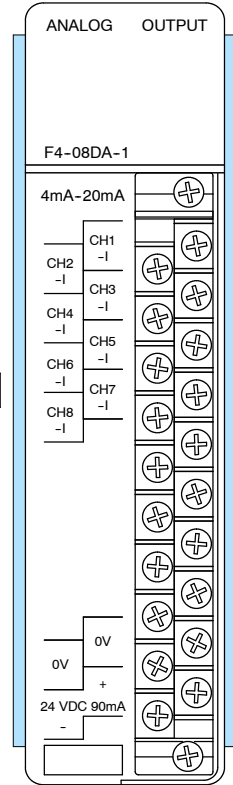
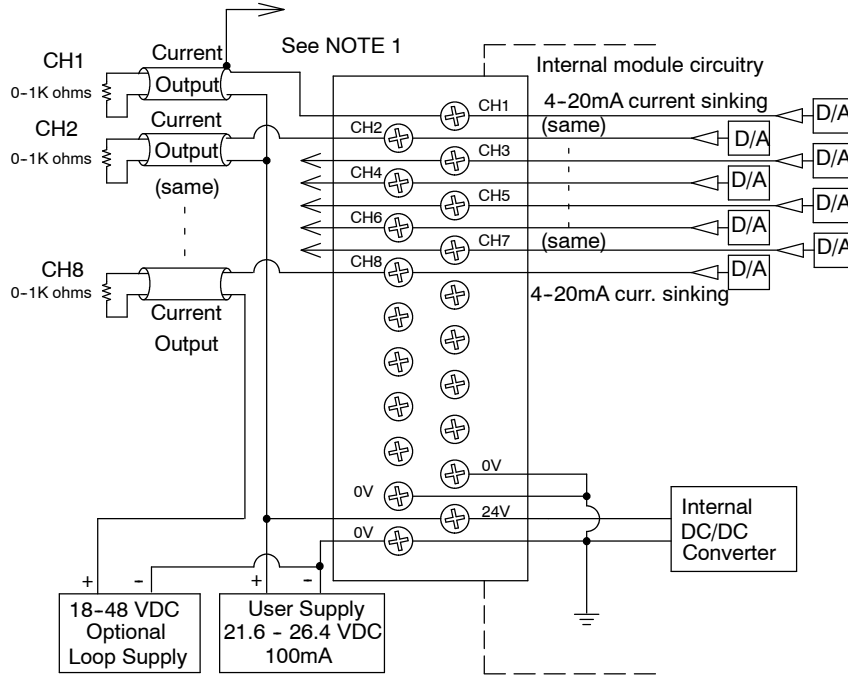
General Module Specifications

Digital Output Points Required	16 point (Y) outputs, 12 bits binary data, 3 bits channel select, 1 bit output enable
Power Budget Requirement	90 mA at 5 VDC (supplied by base power supply)
External Power Supply	21.6–26.4 VDC, 100 mA, class 2 (add 20 mA for each current loop used)
Accuracy vs. Temperature	57 ppm / °C full scale calibration range (including maximum offset change, 2 counts)
Operating Temperature	0 to 60°C (32 to 140°F)
Storage Temperature	–20 to 70°C (–4 to 158°F)
Relative Humidity	5 to 95% (non-condensing)
Environmental Air	No corrosive gases permitted
Vibration	MIL STD 810C 514.2
Shock	MIL STD 810C 516.2
Noise Immunity	NEMA ICS3-304

F4-08DA-1 8-Channel Analog Current Output Module

Wiring Diagram

NOTE 1: Shields should be connected to the 0V of the User Power Supply at the module terminal block.
 NOTE 2: Unused current outputs should remain open (no connections).
 Typical User Wiring



Add 20mA for each 4-20mA loop powered from this supply.

Wiring and Specifications

F4-08DA-2 8-Channel Analog Current Output

Output Specifications

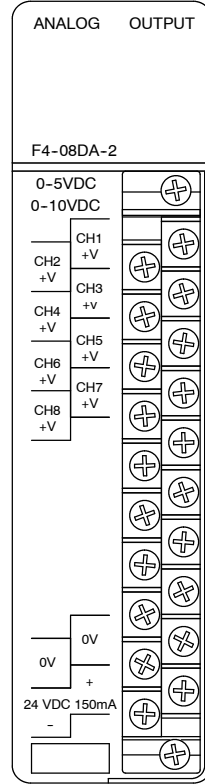
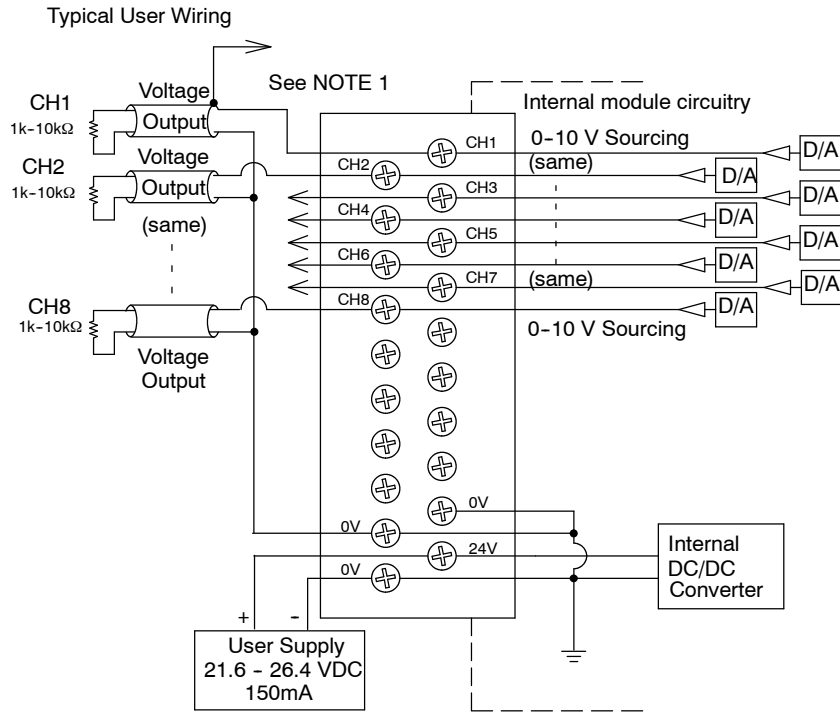
Number of Channels	8, single ended (one common)
Output Range	0-5VDC, 0-10VDC
Resolution	12 bit (1 in 4095)
Output Type	OVoltage Sourcing 10mA maximum
External Load Resistance	1k Ω maximum /10k Ω minimum
Crosstalk	-70 dB, 1 count maximum
Linearity Error (end-to-end) and Relative Accuracy	1 count maximum (10VDC at 25°C)
Full Scale Calibration Error (offset error included)	6 counts maximum (10VDC at 25°C)
Offset Calibration Error	3 counts maximum (0VDC at 25°C)
Maximum Inaccuracy	0.2% at 25°C (77°F) 0.4% at 0 to 60°C (32 to 140°F)
Conversion Time	400 μ s maximum, for full scale change 4.5 to 9 mS for digital output to analog out

General Module Specifications

Digital Output Points Required	16 point (Y) outputs, 12 bits binary data, 3 bits channel select, 1 bit output enable
Power Budget Requirement	80 mA at 5 VDC (supplied by base power supply)
External Power Supply	21.6-26.4 VDC, 150 mA, class 2 (add 20 mA for each current loop used)
Accuracy vs. Temperature	57 ppm / °C full scale calibration range (including maximum offset change, 2 counts)
Operating Temperature	0 to 60°C (32 to 140°F)
Storage Temperature	-20 to 70°C (-4 to 158°F)
Relative Humidity	5 to 95% (non-condensing)
Environmental Air	No corrosive gases permitted
Vibration	MIIL STD 810C 514.2
Shock	MIL STD 810C 516.2
Noise Immunity	NEMA ICS3-304

F4-08DA-2 8-Channel Analog Voltage Output Module

NOTE 1: Shields should be connected to the 0V terminal of the User Power Supply at the module terminal block.



Wiring and Specifications

F4-16DA-1 16-Channel Analog Current Output

Output Specifications

Number of Channels	16, single ended (one common)
Output Range	4–20 mA current
Resolution	12 bit (1 in 4095)
Output Type	Outputs sink 4–20 mA from external supply
Peak Output Voltage	40 VDC (no transient voltage suppression)
External Load Resistance	0–480 Ω @ 18V, 220–740 Ω @ 24V, 1550–1760 Ω @ 48V
Maximum Loop Supply	48 VDC (with load resistance in proper range)
Crosstalk	–70 dB, 1 count maximum
Linearity Error (end-to-end) and Relative Accuracy	1 count maximum (20mA at 25°C)
Full Scale Calibration Error (offset error included)	8 counts maximum (20mA at 25°C)
Offset Calibration Error	3 counts maximum (4mA at 25°C)
Maximum Inaccuracy	0.2% @ 25°C (77°F) 0.4% @ 0 to 60°C (32 to 140°F)
Conversion Time	400 μ s maximum, for full scale change 4.5 to 9 mS for digital output to analog out

General Module Specifications

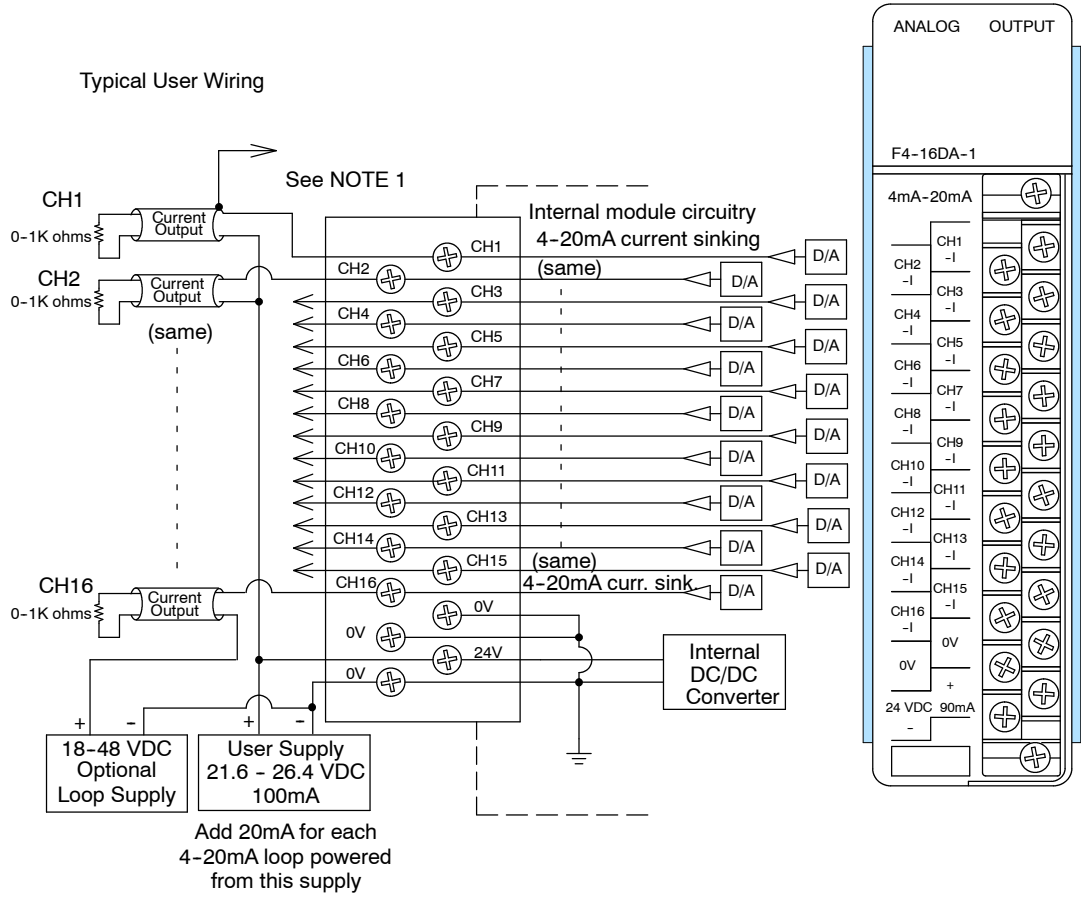
Digital Output Points Required	32 point (Y) outputs, 2 sets each of 12 bits binary data, 3 bits channel select, 1 bit output enable
Power Budget Requirement	90 mA @ 5 VDC (supplied by base)
External Power Supply	21.6 – 26.4 VDC, 100 mA, class 2 (add 20 mA for each current loop used)
Accuracy vs. Temperature	57 ppm / °C full scale calibration range (including maximum offset change, 2 counts)
Operating Temperature	0 to 60°C (32 to 140°F)
Storage Temperature	–20 to 70°C (–4 to 158°F)
Relative Humidity	5 to 95% (non-condensing)
Environmental Air	No corrosive gases permitted
Vibration	MIL STD 810C 514.2
Shock	MIL STD 810C 516.2
Noise Immunity	NEMA ICS3-304

F4-16DA-1 16-Channel Analog Current Output Module

Wiring Diagram

NOTE 1: Shields should be connected to the 0V of the User Power Supply at the module terminal block.

NOTE 2: Unused current outputs should remain open (no connections).



Specifications

F4-16DA-2 16-Channel Analog Voltage Output

Output Specifications

Number of Channels	16, single ended (one common)
Output Range	0-5VDC, 0-10VDC
Resolution	12 bit (1 in 4095)
Output Type	Voltage Sourcing 10mA maximum
External Load Resistance	1k Ω maximum /10k Ω minimum
Crosstalk	-70 dB, 1 count maximum
Linearity Error (end-to-end) and Relative Accuracy	1 count maximum (10VDC at 25°C)
Full Scale Calibration Error (offset error included)	6 counts maximum (10VDC at 25°C)
Offset Calibration Error	3 counts maximum (0VDC at 25°C)
Maximum Inaccuracy	0.2% at 25°C (77°F) 0.4% at 0 to 60°C (32 to 140°F)
Conversion Time	400 μ s maximum, for full scale change 4.5 to 9 mS for digital output to analog out

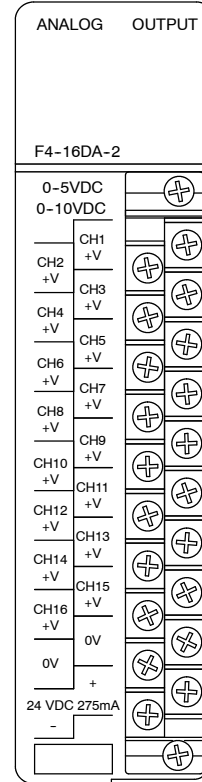
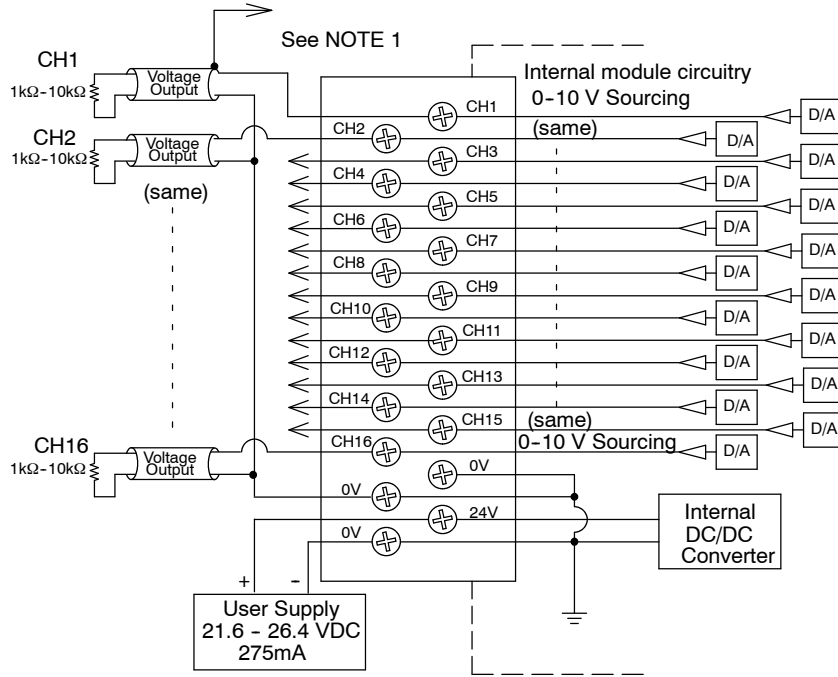
General Module Specifications

Digital Output Points Required	32 point (Y) outputs, two sets each of 12 bits binary data, 3 bits channel select, 1 bit output enable
Power Budget Requirement	80 mA at 5 VDC (supplied by base power supply)
External Power Supply	21.6-26.4 VDC, 150 mA, class 2 (add 20 mA for each current loop used)
Accuracy vs. Temperature	57 ppm / °C full scale calibration range (including maximum offset change, 2 counts)
Operating Temperature	0 to 60°C (32 to 140°F)
Storage Temperature	-20 to 70°C (-4 to 158°F)
Relative Humidity	5 to 95% (non-condensing)
Environmental Air	No corrosive gases permitted
Vibration	MIIL STD 810C 514.2
Shock	MIL STD 810C 516.2
Noise Immunity	NEMA ICS3-304

F4-16DA-2 16-Channel Analog Voltage Output Module

NOTE 1: Shields should be connected to the 0V terminal of the User Power Supply at the module terminal block.

Typical User Wiring



Specifications

F4-08THM 8-Channel Thermocouple Input

Input Specifications

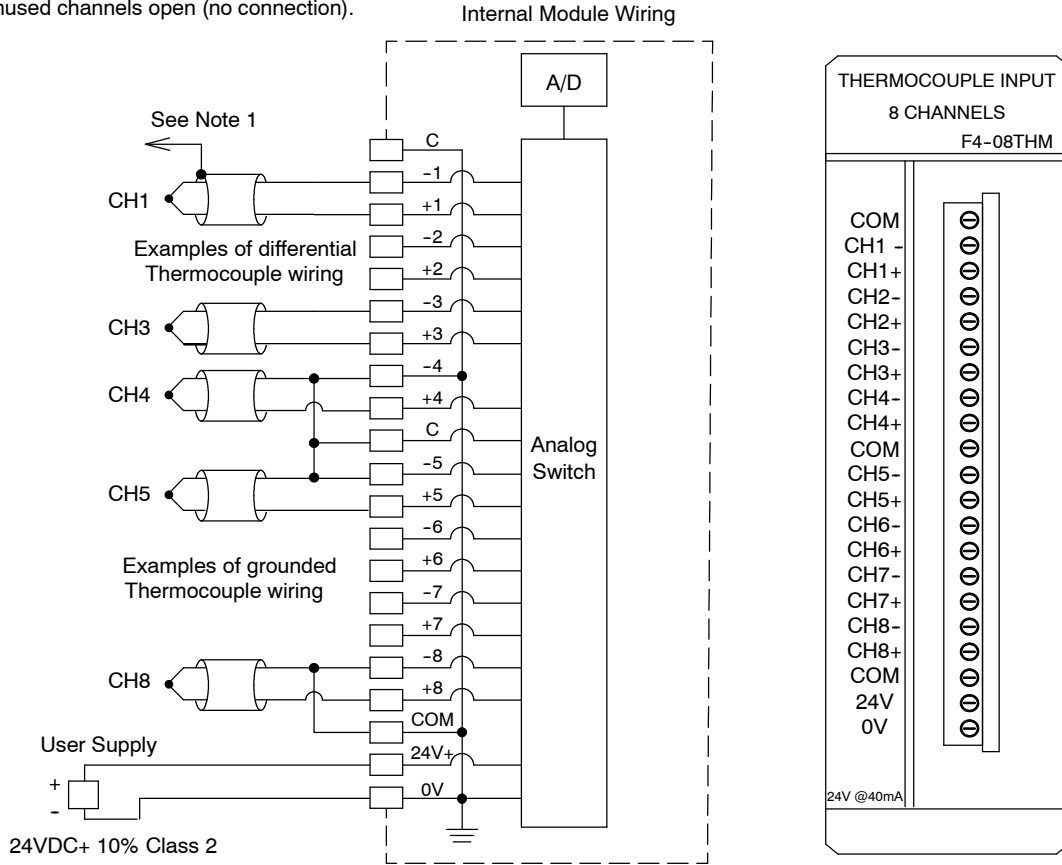
Number of Channels	8, differential inputs
Input Ranges	Type J: -190/760 °C, — -310/1400 °F Type E: -210/1000 °C, — -346/1832 °F Type K: -150/1372 °C, — -238/2502 °F Type R: 65/1768 °C, 149/3214 °F Type S: 65/1768 °C, 149/3214 °F Type T: -230/400 °C, -382/752 °F Type B: 529/1820 °C, 984/3308 °F Type N: -70/1300 °C, -94/2372 °F Type C: -65/2320 °C, -146/4208 °F
Display Resolution	0.1° C or 0.1° F
Input Impedance	1M Ω
Absolute Maximum Ratings	Fault-protected input, 50 VDC
Cold Junction Compensation	Automatic
Conversion Time	100ms per channel, minimum
Linearity Error	.05° C maximum, .01° C typical
Full Scale Calibration Error	13 counts typical, 33 counts max.
Maximum Inaccuracy*	.02% @ 25° C

General Specifications

PLC Update Rate	8 channel per scan max.
Digital Input Points Required	16 (X) input points, including , 2 channel ID bits, 4 diagnostic bit
Power Budget Requirement	110 mA @ 5 VDC (from base)
External Power Supply	60 mA maximum, 18 to 26.4VDC
Operating Temperature	0° to 60° C (32° to 140° F)
Storage Temperature	-20° to 70° C (-4° to 158° F)
Accuracy vs. Temperature	57 ppm / °C maximum full scale
Relative Humidity	5 to 95% (non-condensing)
Environmental air	No corrosive gases permitted
Vibration	MIL STD 810C 514.2
Shock	MIL STD 810C 516.2
Noise Immunity	NEMA ICS3-304

F4-08THM 8-Channel Thermocouple Input Module

Note 1: Terminate shields at the respective signal source.
Note 2: Leave unused channels open (no connection).



F4-08THM-n 8-Channel Thermocouple Input

Input Specifications

Number of Channels	8, differential inputs
Input Ranges	Type E: -270/1000 °C, -450/1832 °F Type J: -210/760 °C, -350/1390 °F Type K: -270/1370 °C, -450/2500 °F Type R: 0/1768 °C, 32/3214 °F Type S: 0/1768 °C, 32/3214 °F Type T: -270/400 °C, -450/752 °F Type C: 60/2320 °C, 149/4208 °F Type B: 529/1820 °C, 984/3594 °F Type P: -99/1395 °C, -146/2543 °F -1: 0-50 mV -2: 0-100 mV -3: 0-25 mV
Resolution	12 bit (1 in 4096)
Input Impedance	27K Ω DC
Absolute Maximum Ratings	Fault-protected input, 130 Vrms or 100 VDC
Cold Junction Compensation	Automatic
Conversion Time	15ms per channel, minimum 1 channel per CPU scan
Converter Type	Successive approximation
Linearity Error	1 count (0.03% of full scale) maximum
Full Scale Calibration Error	0.35% of full scale
Maximum Inaccuracy*	1° C type J,K,E,T thermocouples 3° C type R,S,B,C,P thermocouples

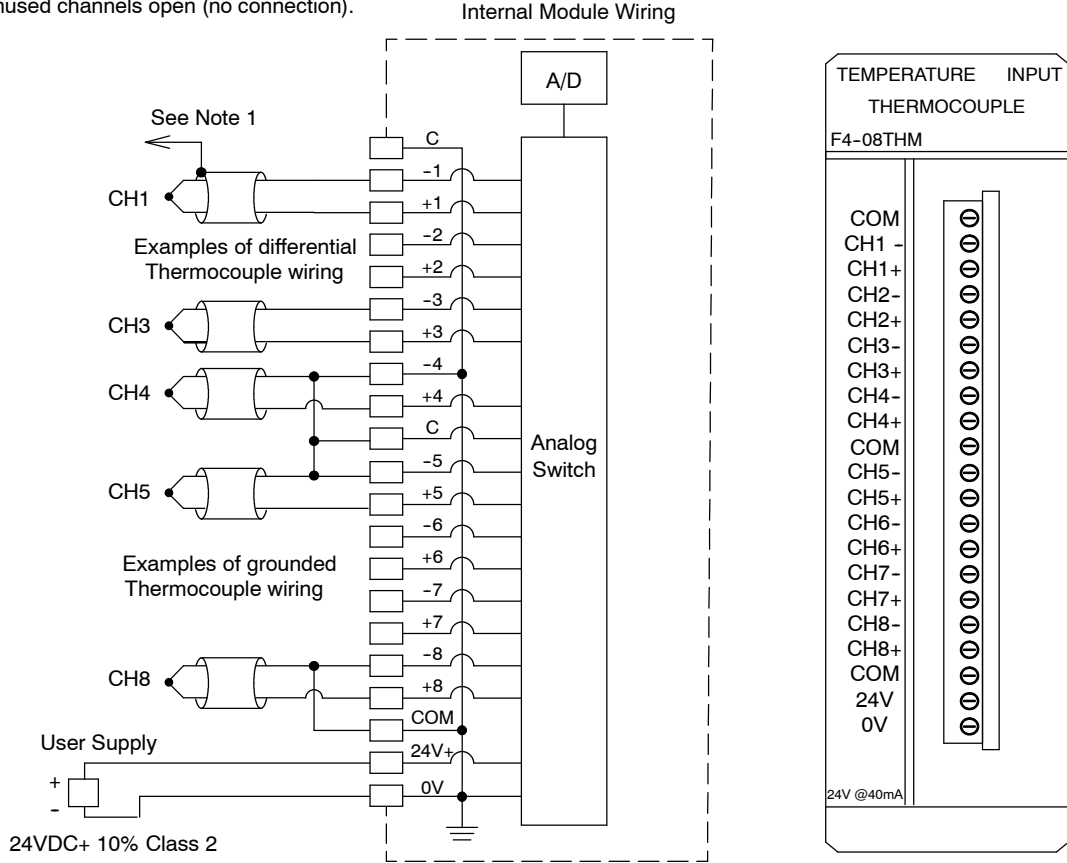
* Maximum Inaccuracy is guaranteed for temperatures above -220°C for types E, T, J, and K, and above +100°C for types R and S.

General Specifications

PLC Update Rate	8 channel per scan max.
Digital Input Points Required	16 (X) input points, including 12 binary data bits, 3 channel ID bits, 1 sign bit
Power Budget Requirement	120 mA @ 5 VDC (from base)
External Power Supply	24 VDC 10%, 50 mA current
Operating Temperature	0° to 60° C (32° to 140° F)
Storage Temperature	-20° to 70° C (-4° to 158° F)
Accuracy vs. Temperature	57 ppm / °C maximum full scale
Relative Humidity	5 to 95% (non-condensing)
Environmental air	No corrosive gases permitted
Vibration	MIL STD 810C 514.2
Shock	MIL STD 810C 516.2
Noise Immunity	NEMA ICS3-304

F4-08THM-n 8-Channel Thermocouple Input Module

Note 1: Terminate shields at the respective signal source.
Note 2: Leave unused channels open (no connection).



Specifications

F4-08RTD 8-Channel RTD Input

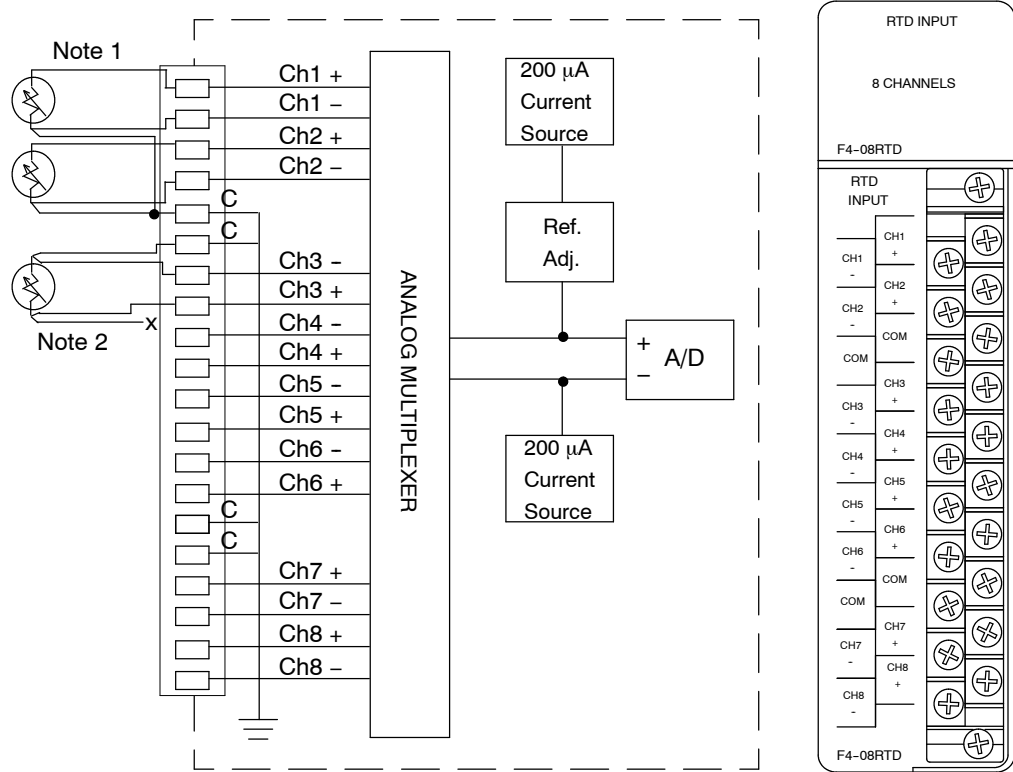
Input Specifications

Number of Channels	8 differential inputs
Input Ranges	Pt100 -200°C/850°C (-328°F/1562°F) Pt 1000 -200°C/595°C (-328°F/1103°F) jPt100 -38°C/450°C (-36°F/842°F) 10ΩCu. -200°C/260°C (-328°F/500°F) 25ΩCu. -200°C/260°C (-328°F/500°F)
Display Resolution	0.01 °C, 0.01 °F (3276.7)
Resolution	15-bit (1 in 32768)
Absolute Maximum Ratings	Fault-protected input, 22 VDC
Converter Type	Charge balancing, 24-bit
Sampling Rate	160 msec per channel
Temperature Drift	5ppm per °C (maximum)
Common Mode Range	0-5 VDC
Linearity Error	.05° C maximum, .01° C typical
Full Scale Calibration	1° C

General Specifications

PLC Update Rate	8 Channels/Scan max. DL440/DL450 CPUs 1 Channel/Scan max. DL430 CPU
Digital Input Points Required	32 (X) input points, 16 binary data bits, 3 channel ID bits, 8 fault bits
Power Budget Requirement	80 mA @ 5 VDC (from base)
Operating Temperature	0° to 60°C (32° to 140°F)
Storage Temperature	-20° to 70°C (-4° to 158°F)
Relative Humidity	5 to 95% (non-condensing)
Environmental Air	No corrosive gases permitted
Vibration	MIL STD 810C 514.2
Shock	MIL STD 810C 516.2
Noise Immunity	NEMA ICS3-304

F4-08RTD 8-Channel RTD Input Module



Notes:

1. The three wires connecting the RTD to the module must be the same type and length. Do not use the shield or drain wire for the third connection.
2. If a RTD sensor has four wires, the extra plus (+) sense wire should be left unconnected as shown.